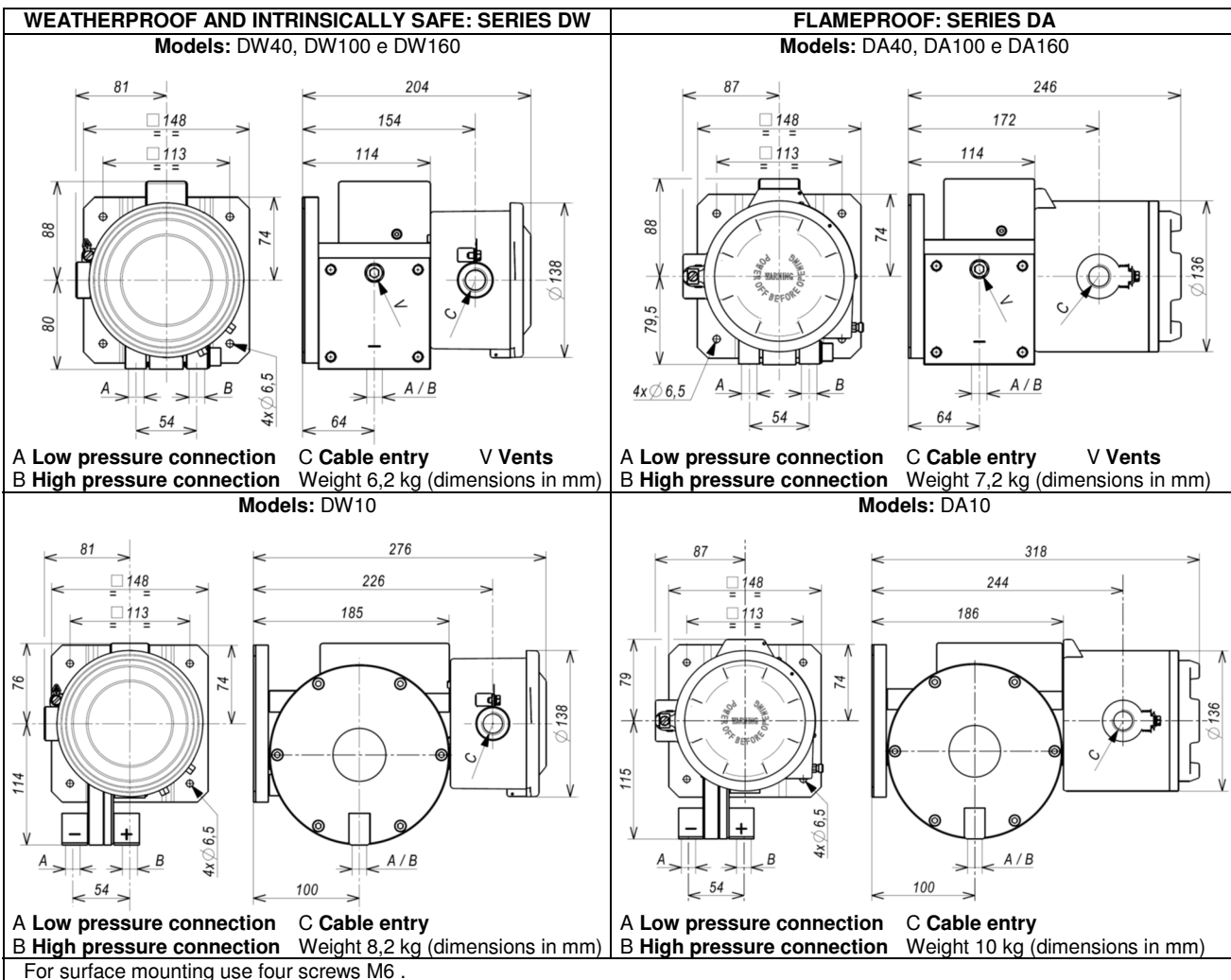


DIFFERENTIAL PRESSURE SWITCHES SERIES DA & DW



NOTE: dimensions and weights are not binding unless released on certified drawings.

CAUTION

- Before installing, using or carrying out maintenance on the instrument it is necessary to **read** and **understand** the indications given in the attached Instruction Manual.
- The instrument must only be installed and maintained by **qualified personnel**
- **INSTALLATION IS TO BE CARRIED OUT ONLY AFTER CHECKING THAT INSTRUMENT CHARACTERISTICS ARE CONSISTENT WITH PROCESS AND PLANT REQUIREMENTS.**
- The functional **features** of the instrument and its degree of protection are shown on the identification plate fixed to the case.



CONTENTS:

1. GENERAL NOTES
2. OPERATING PRINCIPLE
3. MODEL CODE
4. IDENTIFICATION PLATE AND MARKINGS
5. SET POINT REGULATION
6. SET POINT CALIBRATION
7. MOUNTING AND CONNECTIONS
8. INSTRUMENT PLUMBING
9. SAFETY INTEGRITY LEVEL (SIL) INSTALLATION REQUIREMENTS
10. PUTTING INTO OPERATION
11. VISUAL INSPECTION
12. FUNCTIONAL VERIFICATION
13. STOPPING AND DISMOUNTING
14. DISPOSAL
15. TROUBLESHOOTING

RELATED DOCUMENT

To authenticated document with certificate
N° IECEx PRE 16.0068X
N° IECEx PRE 16.0074X

SAFETY INSTRUCTIONS FOR USE IN HAZARDOUS ATMOSPHERES.

RECOMMENDATIONS FOR PRESSURE SWITCH SAFE USE.



All data, statements and recommendations supplied with this manual are based on information believed by us to be reliable. As the conditions of effective use are beyond our control, our products are sold under the condition that the user himself evaluates such conditions before following our recommendations for the purpose or use foreseen by him.

This document is the property of ALEXANDER WIEGAND SE &Co and may not be reproduced in any form, nor used for any purpose other than that for which it is supplied.

1. GENERAL NOTES

1.1 FOREWORD

The wrong choice of a series or a model, as well as the incorrect installation, lead to malfunction and reduce instrument life. Failure to follow the indications given in this manual can cause damage to the instrument, the environment and persons.

1.2 ALLOWED OVERRANGE

Pressures exceeding the working range can be **occasionally** tolerated provided they remain within the limits stated in the instrument features (vacuum or proof pressure). **Continuous** pressures exceeding the working range can be applied to the instrument, provided they are clearly stated in the instrument features. The current and voltage values stated in the technical specifications and ratings must **not** be exceeded. Transitory overranges can have a destructive effect on the switch.

1.3 MECHANICAL VIBRATIONS

Can generally lead to the wearing of some parts of the instrument or cause spurious action. It is therefore recommended that the instrument be installed in a place where there are no vibrations. In cases where this is impossible it is advisable to take measures to lessen the effects (elastic supports, installation with the pin of the microswitch positioned at right angles to the vibration plane, etc.).

1.4 TEMPERATURE

Due to the temperature of both the environment and the process fluid, the temperature of the instrument could exceed the allowed limits (normally from -40° to +60°C). Therefore, in case it does, suitable measures (protection against heat radiation, fluid separators, cooling coils, heated lockers) must be taken. The process fluid or its impurities must not in any case solidify inside the instrument chambers

2. OPERATING PRINCIPLE

The differential pressure, acting on the sensitive diaphragm element, determines its elastic deformation which is used to actuate one or two electric microswitches adjusted at set point values. The microswitches are of the snap acting type with automatic reset. When the pressure moves away from the set values, returning towards the normal values, the switch is reset. The dead band (difference between the set point value and the reset value) can be set or adjustable (letter R in the contact codes).

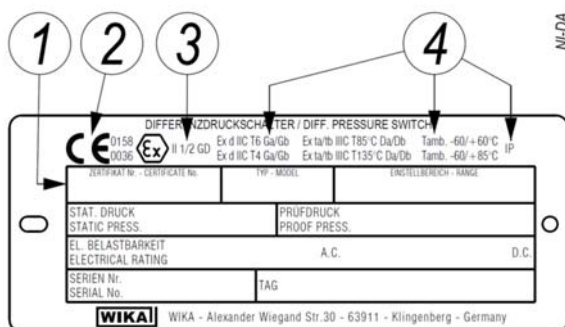
3. MODEL CODE

See Annex 1

4. IDENTIFICATION PLATE AND MARKINGS

The instrument is fitted with a metal plate bearing all its functional characteristics and in case of flameproof or intrinsic safety execution also the markings prescribed by standard IEC/EN 60079-0. Fig.1 shows the plate mounted on flameproof instruments.

Fig. 1 - Flameproof instruments plate



- 1 Notified body that issued the type certificate and number of said certificate.
- 2 CE marking and identification number of the notified body responsible for production surveillance.
- 3 Apparatus classification according to ATEX 2014/34/EU directive.
- 4 Type of protection and ambient temperature limits of operation.

The following table gives the relationship between hazardous areas, ATEX Categories and Equipment Protection Level (EPL) listed on the flameproof instrument nameplate

Hazardous area		Categories according to 2014/34/EU Directive (ATEX)	EPL
Gas, vapours, fog	Zone 0	1G	Ga
Gas, vapours, fog	Zone 1	2G or 1G	Gb or Ga
Gas, vapours, fog	Zone 2	3G, 2G or 1G	Gc, Gb or Ga
Dust	Zone 20	1D	Da
Dust	Zone 21	2D or 1D	Db or Da
Dust	Zone 22	3D, 2D or 1D	Dc, Db or Da

5. SET POINT REGULATION

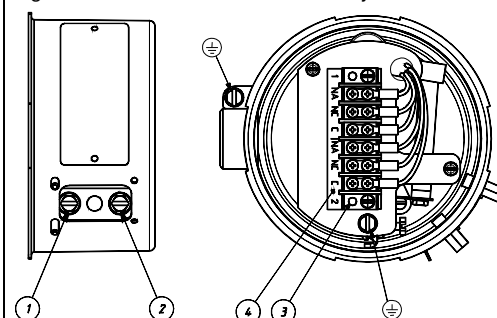
Each microswitch is independent and can be adjusted by means of a screw (for adjustment) to snap when the pressure reaches (increasing or decreasing) the desired value (set point). The instrument is usually supplied with the switches adjusted at the setting range value nearest to zero (**factory calibration**). The instrument is supplied with a label showing the set point calibration value. With **factory calibration** the values are not indicated, as these are temporary and will be modified with the definitive values. Prior to installation the instrument must be **calibrated** and the definitive calibration values written on the label.

If the instrument has been ordered with a **specific calibration**, check the calibration values marked on the relevant label, prior to installation.



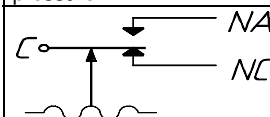
The position of the adjustment screw is given in figure 2.

Fig. 2 - Electrical connections and adjustment screws



- 1 - Microswitch 2 set point calibration screw
- 2 - Microswitch 1 set point calibration screw
- 3 - Terminal block
- 4 - Electrical connection identification plate

Microswitch electrical circuit: State of the contacts at atmospheric pressure



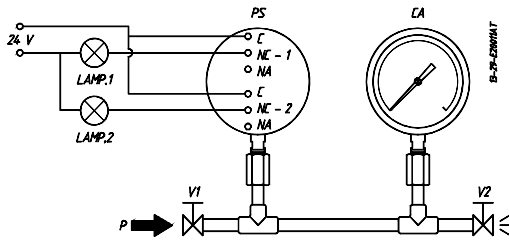
Designation of the contacts:
 C - common
 NA - Normally open
 NC - Normally closed

The effect that the direction of rotation of the adjustment screw has is described on the label.

6. SET POINT CALIBRATION

In order to proceed with the calibration and the periodical functional verification of the instrument a suitable **calibration circuit** (Fig. 3) and an adequate pressure source is required. The test instrument should have a measurement range approximately equal to or slightly wider than the pressure switch range and should have an accuracy consistent with the accuracy required to calibrate the set point.

Fig. 3 - Calibration circuit



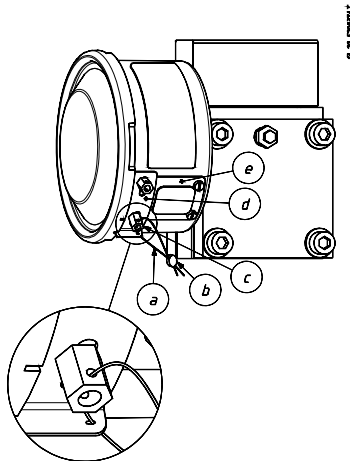
PS - Pressure switch	Test fluid:
CA - Test gauge	air for P ≤ 10 bar
V1 - Inlet valve	water for P > 10 bar
V2 - Discharge valve	
P - Pressure source	

6.1 PRELIMINARY OPERATIONS

6.1.1 Weatherproof pressure switches (Series DW)

Remove the blocking device fixed to the side of the instrument case and the adjustment screw access plate (Fig. 4). Remove the cover by rotating it in an anticlockwise direction.

Fig. 4 - Weatherproof pressure switch blocking device



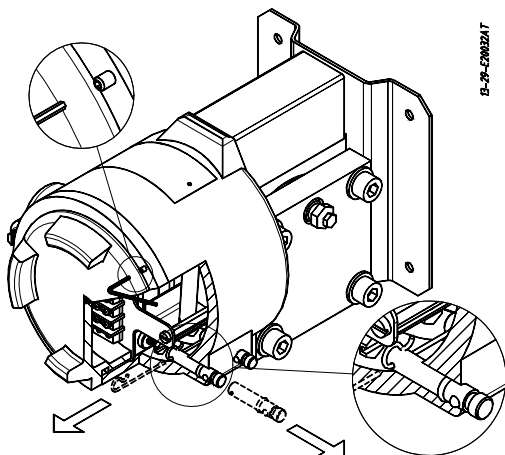
- a) Plumbing wire
- b) Plumbing
- c) Blocking nut
- d) Blocking bracket
- e) Adjustment screw access plate

6.1.2 Flameproof pressure switches (Series DA)

CAUTION: do not open the cover of flameproof pressure switches (Series DA) when energized, in explosive atmospheres.

Loosen the locking headless screw situated on the cover using a 1,5 hexagonal key then unscrew the cover (fig.5). Remove the internal blocking device inserted on the closure plugs and slide out the plugs.

Fig. 5 - Flameproof pressure switch blocking device



6.2 CALIBRATION CIRCUIT AND OPERATIONS

Prepare the calibration circuit as indicated in Fig.3.

The warning lamps should be connected to contact 1 or 2 in the NO or NC position according to the required contact action.

Connection of C and NO terminals

- If the circuit is open at the working pressure, the switch **closes** the circuit as the pressure **increases** when the desired value is reached.

- If the circuit is closed at the working pressure, the switch **opens** the circuit as the pressure **decreases** when the desired value is reached.

Connection of C and NC terminals

- If the circuit is closed at the working pressure, the switch **opens** the circuit as the pressure **increases** when the desired value is reached.

- If the circuit is open at the working pressure, the switch **closes** the circuit as the pressure **decreases** when the desired value is reached.

The pressure switch must be mounted in the normal installation position, i.e. with the pressure connection pointing downwards.

Avoid forcing the elastic support of the microswitch by hand or with tools. This could affect the instrument functioning.

CAUTION: if the switch is of the kind with adjustable dead band (letter R in the contact codes) before proceeding with the following operations it is necessary to proceed with the adjustment of the dead band.



Increase the pressure in the circuit up to the desired set point value for the first microswitch. Use a wide bladed screwdriver, as indicated on the label, turn the screw until the relative lamp turns on (or turns off).

- If the instrument is equipped with only **one contact** the calibration is complete.

- If it is equipped with **two contacts** continue in the following manner. Vary the pressure until the desired set point value for the second microswitch is reached. Act on the adjustment screw of the second contact.

Repeat calibrating operations on the first contact, then on the second contact, until the required set point accuracy is obtained. This is necessary due to the reciprocal influence which the microswitches have on the sensitive element of the instrument.

CAUTION: if the two set point are different they must be different for much of 5% of the adjustable span.



6.3 CHECK OF SET POINT

Generate the normal working pressure and wait the pressure stabilisation. Vary the pressure into the circuit and record the set point value. Write the set point values on the adhesive label.

Note: the repeatability should be checked verifying for three times the set point (Pi) starting always from the same pressure value (Pw). The pressure cycle should be slowly to give the possibility to record the set point with accuracy.

6.4 CALIBRATION CIRCUIT FOR INSTRUMENT WITH ADJUSTABLE RANGE LESS TO 60 mbar

The calibration circuit used for the calibration of these instruments must be:

- of big internal volume (5 liters or bigger) in order to reduce the effect of volumetric variation (and therefore of pressure) caused by the sensing element of the pressure switch during the snap action.

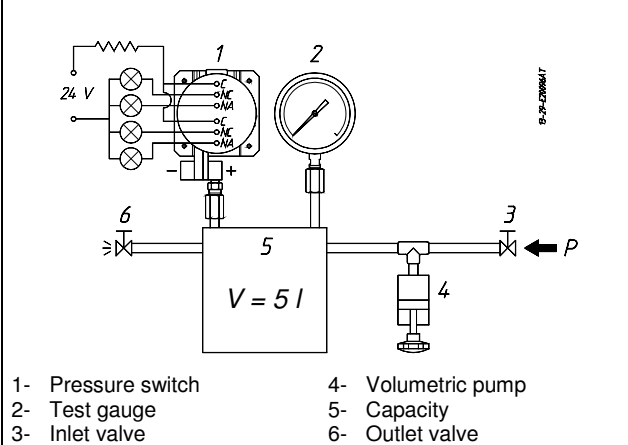
- in a thermally stable place in order to guarantee stability to the pressure inside the circuit used for the calibration.

Have to be considered that in a closed circuit with the internal pressure equal to the atmospheric pressure, the variation of temperature of 1°C causes in the circuit a pressure variation of 3,4 mbar.

The maximum inlet pressure must not exceed the lesser of overpressure allowed by the pressure switch and the test gauge. The test instrument should have a measurement range approximately equal to or slightly wider than the pressure switch range and should have an accuracy consistent with the accuracy required to calibrate the set point.

For example DW10 range 0..16mbar the accuracy of the test gauge must be ± 0,04 mbar to calibrate the set point with an accuracy of ± 0,16 mbar (1% of the adjustable span).

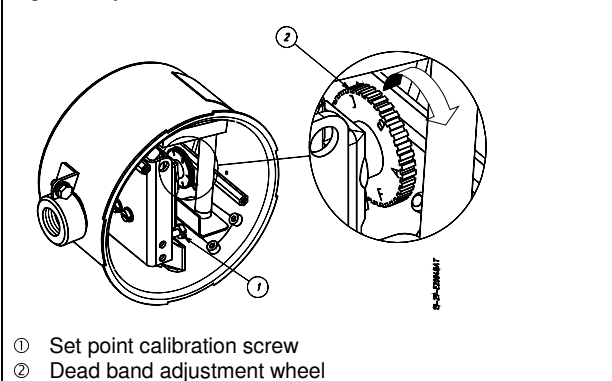
Fig. 6 – Calibration circuit for instrument with adjustable range less than 60 mbar



6.5 ADJUSTMENT OF DEAD BAND (LETTER R ON THE MODEL CODE)

The dead band can be adjusted only on the instrument is equipped with a microswitch, which allows adjusting (Letter R on the model code). Adjustment may be obtained by rotating the wheel placed on the microswitch (Fig. 7). In order to carry out this operation it is advisable to use a blade screwdriver.

Fig. 7 – Adjustment of dead band



WARNING: rotate the wheel without pushing too much the blade against it.

The instrument is normally delivered adjusted on the **minimum value** of its range (factory calibration).

Calibration of dead band

The calibration of the dead band is obtained using the following procedure:

- 1 - Raise pressure in the circuit until reaching the set point and record its value (Pi).
- 2 - Reduce pressure in the circuit until reaching the reset point and record its value (Pr).
- 3 - The difference $P_i - P_r = V_a$ represents the dead band factory adjusted value.
- 4 - Rotate the adjustment wheel in the sense shown in Fig. 6 placing the red notch in horizontal position
- 5 - Repeat operations 1 and 2 and measure the new dead band V_b .
- 6 - By comparing the values V_a and V_b approximately determine the color of the wheel notch to be placed on the mark.
- 7 - Place the notch and measure the obtained dead band.
- 8 - Proceed by successive approximations until reaching the desired dead band value with enough accuracy.
- 9 - Then proceed with the set point calibration

Example: The dead band increase corresponding to the rotation from A to B is given by: $V_b - V_a = I$

The desired dead band V will be approximately in the position indicated by the value $K = V/I$ which expresses:

- By units, the wheel notches (1=one black notch, 2=one red notch, 3=one yellow notch, 4=one blue notch, 5=one green notch, 6=two black notches).
- By decimal digits, the percentage middle position between the located notch (of units) and the following one.

6.6 FINAL OPERATIONS

Disconnect the instrument from the calibration circuit.

1.1.1 Weatherproof pressure switches (Series DW)

Take the cover, ensure that the sealing gasket is correctly fitted into its seat, and insert the cover onto the case, with the blocking gap positioned in correspondence to the blocking bracket.

Turn the cover clockwise closing it tightly. Mount the blocking device as in Fig. 4. Mount on pressure connection and cable entry the protection caps supplied with the instrument.

1.1.2 Flameproof pressure switches (Series DA).

Insert the closure plugs of the adjustment screw access holes, **block** them using the internal device and if necessary seal them with plumbing. Screw on the cover and **block** it using the headless screw with which it is equipped (Fig. 5)

1.1.3 Final operations

Mount on pressure connection and cable entry the protection caps supplied with the instrument.

Caution: The protection caps should only be definitively removed **during** the connection steps (see § 7).



7. MOUNTING AND CONNECTIONS

7.1 MOUNTING

Surface mount the instrument by means of the holes provided, or **pipe** mount using the appropriate bracket (see Fig. 14,15 e 16). In case of surface or panel or rack mounting the instruments can be mounted side by side (see Fig.19).

The chosen position must be such that vibrations, the possibility of shocks or temperature changes are within tolerable limits. With gas or vapour process fluid, the instrument **must** be positioned higher than the pipe inlet (see Fig.18). With a liquid process fluid, the instrument can be positioned higher or lower, indifferently (see Fig.17 e 18).

7.2 INSTRUMENT WITH DIAPHRAGM SEALS

When the pressure switch is mounted on diaphragm seal with capillary and the set point is less than 10 bar, the gap (distance h) between one diaphragm seal and instrument or between the two diaphragm seals generates a column of liquid, whose pressure equivalent constitutes a drift of set point. The set point has to be adjusted consequently.

7.3 PRESSURE CONNECTIONS

Connecting lines are an integral part of the instrument in transmitting the measured variable from the measuring point to the instrument.



For a correct installation it is necessary to:

Mount a shut-off valve with drain (root valve) on each process pipe inlet to allow the instrument to be excluded and the connection tubing to be drained. It is recommended that said valve has a capstan blocking device aimed at preventing it being activated casually and without authorisation.

Mount a **3 valve manifold** near the instrument to permit possible functional verification on site and removal of the instrument. It is recommended that the manifold is made up of two service valves, one by-pass valve and two suitably connected drain plugs. The three valves with the drains can be reunited by a single device called a "Three valve manifold" (see fig.21 for flanged manifold valve and fig.22 for direct manifold valve).

Mount a three piece joint onto the threaded attachment of the instrument to permit the easy mounting or removal of the instrument itself.

Carry out the connection using a flexible tube in such a way that variations in the temperature of the tube itself do not force the instrument attachment.

Ensure that all the pressure connections are airtight. It is important that there are no leakage in the circuit.

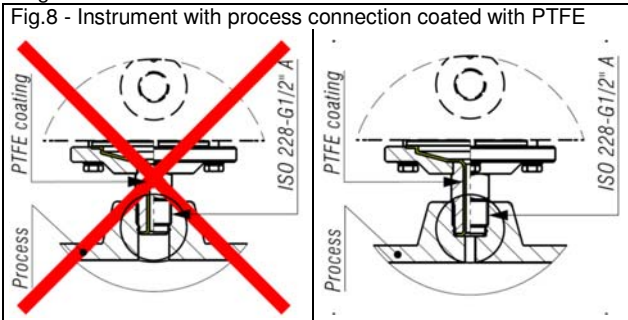
Close root valves, the two service valves, drain plugs and open the by-pass valve.

NOTE: if the instrument is used for **level control** in tanks under pressure it is recommended that installation is carried out according to the diagram in figure 23 and 24

In case of installation as per fig 23 ensuring that the seal pot B has a sufficient capacity to maintain the liquid level at the maximum height over time.

7.4 INSTRUMENTS WITH PROCESS CONNECTION COATED WITH PTFE

The pressure connection must be made in such a way that the part protruding from the instrument have to be used as a sealing ring.

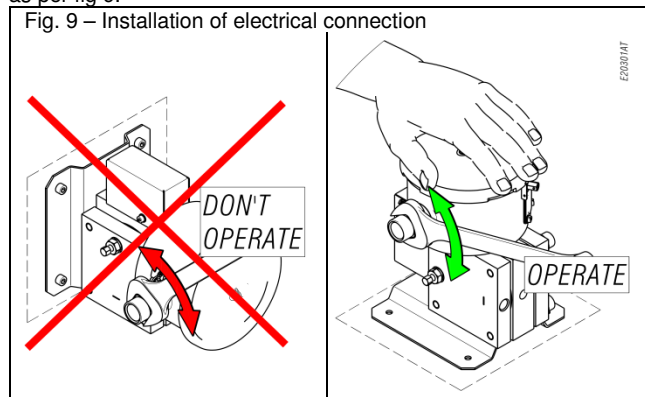


7.5 ELECTRICAL CONNECTIONS

It is recommended to carry out the electrical connections according to the applicable standards. In case of flameproof instrument see also the Standard IEC-60079-14. If the electrical connection is carried out in a protected tube, it shall be made so that condensate is prevented from entering instrument enclosure. To guarantee the ingress protection IP66 and prevent loosening of the blocking joint or cable glands, it is prescribed to seal the threads with an anaerobic sealant. For example, use a sealant like Loctite ® 542.

CAUTION: fittings used for the electrical connection of the flameproof instruments shall be certified according the IEC or EN standards and shall guarantee instrument degree of protection (IP66). In the case of Gk threads, this is made in accordance with standard UNI-EN 60079-1 (Italian national variant).

The installation of the cable gland or three-piece joint should be as per fig 9.



With the instrument into the final position provided that the electric line is not energize, remove the cover and make the electrical connection to the terminal block (see Fig. 2).

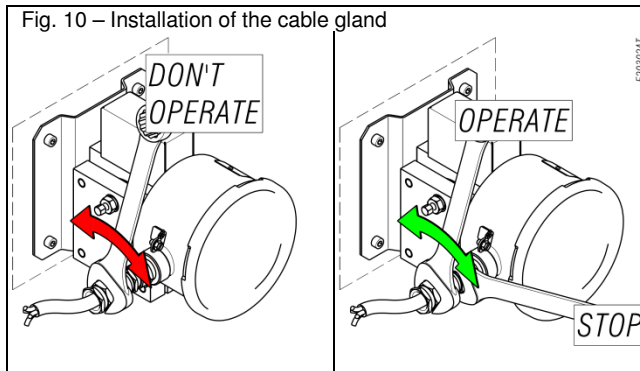
If the ambient temperature exceeds 60 °C is recommended to use cables suitable for operating temperatures of at least 105 °C.

Flexible cables with a maximum section of 1,5 mm² (16AWG) are recommended using the pre-insulated crimp ring terminal.

Do not touch the adjustment screws and do not bend the elastic microswitch supports in order to prevent the instrument calibration being altered. Ensure that no deposits or wire ends remain inside the case.

Warning: The instrument may be equipped with one or two micro switches SPDT type. All the electrical connection must be part of intrinsically safe circuits. The relevant parameters for intrinsic safety are listed on the nameplate of the instrument.

The tightening of the cable gland or the three-piece joint must be performed as shown in Fig. 10.

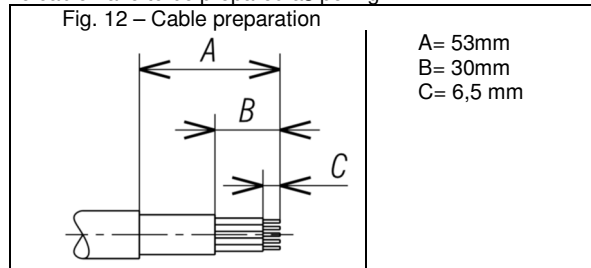


As soon as connection steps are completed, mount the cover on and make sure it is tight and blocked See fig 4 and 5.

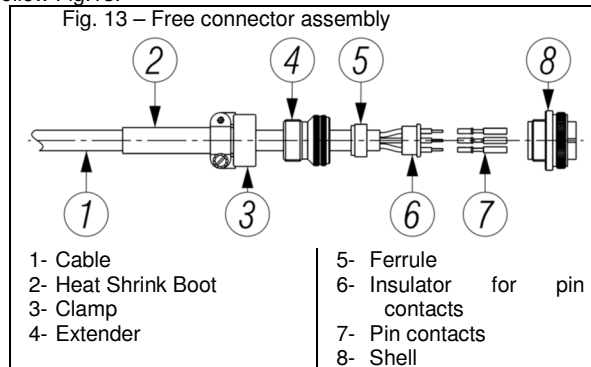
7.5.1 CONNETTOR 7 POLES TYPE MIL-5015 FOR WEATHER PROOF INSTRUMENT

The free connector, supplied with the instrument, is able to accept multicore cables with maximum outer diameter 11 mm. It is recommended flexible cables with single-conductor with a maximum section of 1.5 mm² (16AWG).

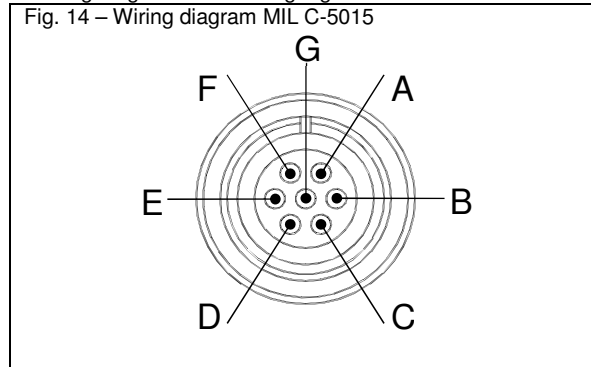
The cable have to be prepared as per fig. 12



The single stripped conductor has to be crimped with each contact pin. For the electrical connections and for the assembly follow Fig.13.



The wiring diagram is according Fig.14.



CONTACT	FUNCTION	
A	1-NA	Micro 1: Normaly open
B	1-NC	Micro 1: Normaly closed
C	1-C	Micro 1: Common
D	2-NA	Micro 2: Normaly open
E	2-NC	Micro 2: Normaly closed
F	2-C	Micro 2: Common
G	Ground	Internal grounding connection

Once the crimping and assembly activities of the free connector are finished, make sure that all the parts are tight. Screw the

bayonet and tighten it to assure the instrument degree of protection

7.6 GROUNDING CONNECTIONS

The instrument is supplied with two grounding connections, one external and one internal. The connections are suitable for a earthing wires of 4 mm² section (fig. 2).

8. INSTRUMENT PLUMBING

Weatherproof pressure switches (Series DW)

The plumbing, aimed as a guarantee against possible tampering of the calibration and electrical connections, can be carried out using a flexible steel wire (a) inserted into the holes in the locking nut (c) and the bracket (d) provided for this purpose (see Fig. 4).

Flameproof pressure switches (Series DA)

Plumbing is not necessary as the cover is blocked with a headless screw, the closure plugs of the adjustment screw access holes are blocked by means of the internal blocking device and the instrument **does not** have to be opened when installed (see Fig. 5).

9. SAFETY INTEGRITY LEVEL (SIL) INSTALLATION REQUIREMENTS

The pressure switch has been evaluated as Type A safety related hardware. It has an hardware fault tolerance of 0 if it is used in one out one configuration (1oo1). The installation has to be designed to allow a proof test to detect dangerous undetected fault using, as example, the following procedure:

- Take appropriate action to avoid a false trip
- Force the switch to reach a define max or min threshold value and verify that output goes into the safe state.
- Force the switch to reach a define normal threshold value and verify that output goes into the normal state.
- Repeat the check two times evaluating average set point value and repeatability,
- Restore the loop to full operation
- Restore normal operation

10. PUTTING INTO OPERATION

The instrument comes into operation as soon as the root valves are opened and then, afterwards, the service valve attached to the instrument + (H) inlet pipe is opened, the by-pass valve closed and the service valve attached to the instrument – (L) inlet pipe is opened. Any possible drainage of the connection tubing can be carried out by opening the drains positioned on the instrument.

Do not dispose of the process fluid into the environment, if this can cause pollution or damage to people

NOTE: if the instrument is used for **level control** in tanks under pressure and **is installed according to the diagram in Fig. 23** proceed as follows:

Close the root valves V1 and V2 open the valves V3 V4 V5 (the service and by-pass valves). Fill with the process fluid, from plug S positioned on the seal pot B, bleeding air from the plug S positioned on the seal pot near the V2 valve. Then close S and top up the liquid in B. Remove air from the breather plug S+ and S- positioned on the instrument, topping up the liquid in B. Close the plug SB and the by-pass valve V5 and open the root valves V1 and V2. The instrument is ready for use.

If the instrument is installed according to Fig. 24 close the root valves V1, V2 and V5, open the valves V3 and V4. Open the draining D. Fill with the process fluid, from plug B bleeding air from the plug S+. Vent carried out, the instrument will read pressure $\Delta p = \gamma \cdot h1$ corresponding to zero level in the vessel. Close plugs S and D. First open valve V2 slowly, then V1. The instrument is ready to operate.

11. VISUAL INSPECTION

Periodically check the external condition of the enclosure. There should be no trace of leakage of process fluid outside the instrument.

In case of flameproof or intrinsic safety instruments, inspections of the electrical installation are to be carried out also according to customer procedures and at least in accordance with Standard EN-60079-17.

The flameproof and the intrinsic safety instruments installed in explosive atmospheres for the combustible dust presence, must be periodically cleaned up externally in order to avoid dust accumulating.

11.1 INSTRUMENTS WITH PROCESS CONNECTION COATED WITH PTFE

These instruments are usually installed on process with high corrosion resistance requirements. To verify the condition of PTFE the process connection is equipped with an inspection hole. During the visual inspection check the absence of fluid. On the contrary the instrument have to be replaced.

12. FUNCTIONAL VERIFICATION

This will be carried out according to the Customer's control procedures and because of their particular operating principle, have to be functional inspected every year as minimum if used as an alarm of max pressure

Series **D** instruments can be verified on the plant if installed as illustrated in Fig. 17 or 18.

To avoid any risk it is recommended check the set point on site without open the cover, without dismount the cable gland and without unplugging the power cable.

The flameproof or intrinsic safety instruments may be checked on site only if the apparatus used are suitable for explosive atmosphere.

If this is not the case it is necessary remove the instrument from the plant, and carry out the verification in a testing room.

If the verification of the set point is performed unplugging the power cable from the terminal block it is recommended de-energize the instrument to avoid any electrical hazard.

WARNING: Instrument series DA, flameproof.

Before open the cover or the cable gland check the absence of explosive atmosphere and check that the instrument is **not energized**.

Verification consists in **check the calibration value** and possibly regulating the adjustment bush (see §5).

13. STOPPING AND DISMOUNTING

Before proceeding with these operations **ensure** that the plant or machines have been put into the **conditions** foreseen to allow these operations.

With reference to Figures 17 e 18

Remove the power supply (signal) from the electrical line. Close the root valve (6) and open the drain. Remove the plug (2), open the valve (3) and wait until the process fluid has drained from the tubing through the drain.

Do not dispose of the process fluid into the environment, if this can cause pollution or damage to people.

Unscrew the three-piece joint (1).

WARNING: Instrument series DA, flameproof.

Before open the cover or the cable gland check the absence of explosive atmosphere and check that the instrument is not energized.

Unscrew the three-piece joint (11) (electrical cable tubing).

Remove the instrument cover and disconnect the electrical cables from the terminal block and earth screws.

Remove the screws fixing the case to the panel (or pipe) and remove the instrument, taking care to slide the electrical conductors out from the case.

Mount instrument cover. Insulate and protect cables around, if any. Temporarily plug pipes not connected to the instrument.

In case of flameproof instruments or intrinsic safety it is recommended to follow - at least - the standard IEC-60079-17 for the withdrawal from service of electrical apparatus.

14. DISPOSAL

The instruments are mainly made of stainless steel and aluminium and therefore, once the electrical parts have been dismantled and the parts coming into contact with fluids which could be harmful to people or the environment have been properly dealt with, they can be scrapped.



15. TROUBLESHOOTING



IMPORTANT NOTE: operations involving replacement of essential components must be carried out at our workshop, especially for instruments with flameproof certificate; this is to guarantee the user the total and correct restoration of the product original characteristics.



MALFUNCTION	PROBABLE CAUSE	REMEDY
Set point shift	<ul style="list-style-type: none"> ■ Air bubbles in the connection lines (condensation in the case of use of gas; excluding models DW10 and DA10) ■ Solid particles deposited inside the measurement chambers of the instrument (excluding models DW10 and DA10) ■ Permanent deformation of the sensitive element due to fatigue or non-tolerated over-ranges ■ Variation of the elastic features of the sensitive element due to its chemical corrosion. ■ Leakage of filling fluid (excluding models DW10 and DA10). 	<ul style="list-style-type: none"> ■ Drain using the appropriate plugs ■ Dismount the measurement chambers and clean them (during the mounting phase the screw locking couple is 80 N/m) ■ Recalibrate or replace the sensitive element. ■ Recalibrate or replace the sensitive element with another made of a suitable material. If necessary apply a fluid separator ■ Send to the constructor for checking
Slow response	<ul style="list-style-type: none"> ■ Clogged or obstructed connection line. ■ Root or service valve partially closed. ■ Too viscous fluid. 	<ul style="list-style-type: none"> ■ Check and clean line. ■ Open valve. ■ Provide instrument with suitable fluid separator.
No actuation or undue actuation	<ul style="list-style-type: none"> ■ Root or service valve closed. ■ By-pass valve open. ■ Microswitch contacts damaged. ■ Loosened electrical joints. ■ Interrupted or short-circuited electrical line. 	<ul style="list-style-type: none"> ■ Open the valve. ■ Close the valve. ■ Replace the microswitch. ■ Check all electrical joints. ■ Check the conditions of the electrical line.
Undue actuation	<ul style="list-style-type: none"> ■ Accidental shocks or excessive mechanical vibrations. 	<ul style="list-style-type: none"> ■ Modify the mounting.

Fig.14 – DW-DA – Mounting of the brackets for 2" pipe

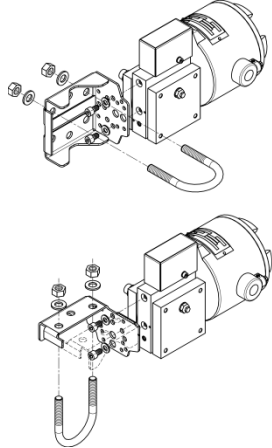


Fig.15 – DW10-DA10- Mounting of the brackets for 2" pipe

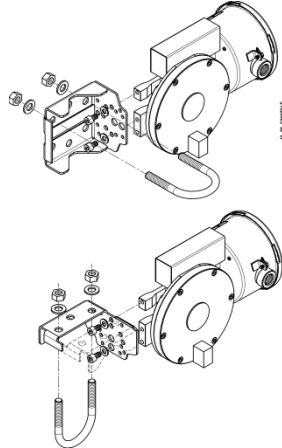


Fig. 16 - Example of mounting

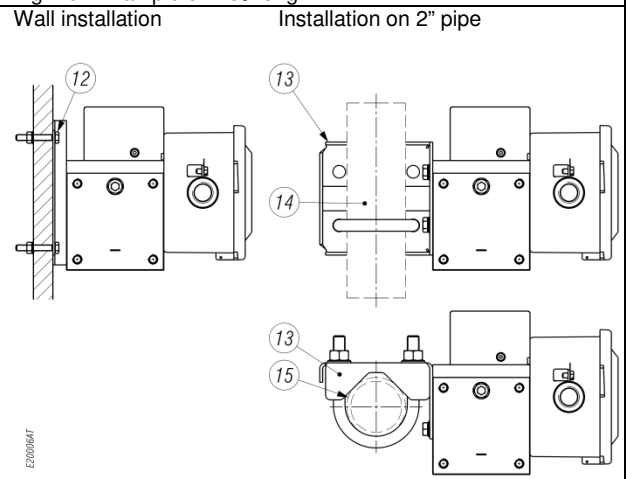
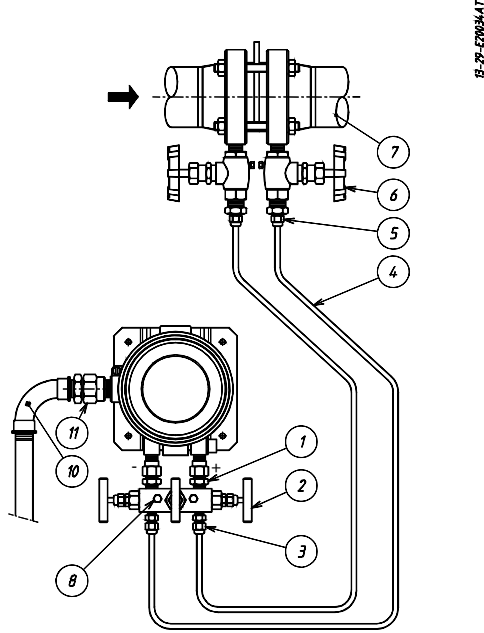
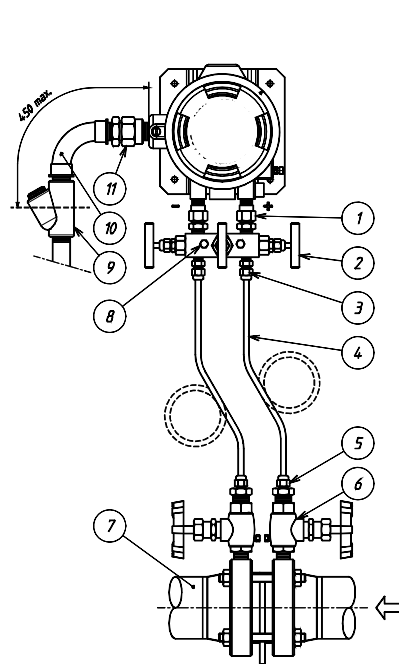


Fig. 17 - Example of connections -



E-2P-E2063AT

Fig. 18 - Example of connections -



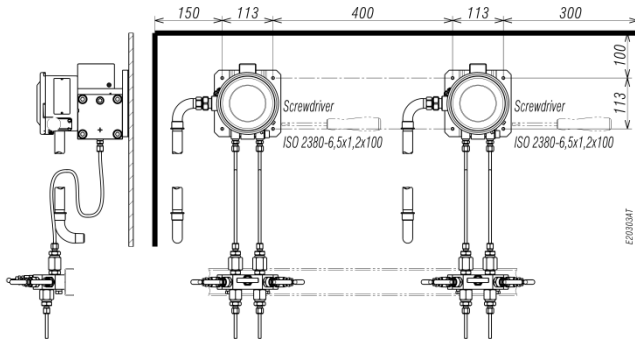
E-2P-E2063AT

- | | |
|---------------------------|--------------------------------|
| 1 - Three pieces fitting | 5 - Three pieces fitting |
| 2 - Three valves manifold | 6 - Root valve with drain |
| 3 - Three pieces fitting | 7 - Filter or nozzle |
| 4 - Piping | 8 - Check inlet and drain plug |

- | | |
|---------------------------|--------------------------|
| 9 - Blocking joint | 13 - Bracket for 2" pipe |
| 10 - Curve | 14 - Vertical pipe |
| 11 - Three pieces fitting | 15 - Horizontal pipe |
| 12 - M6 screws (N°4) | |

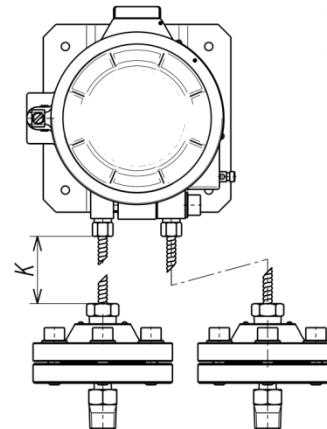
NOTE With gas or vapour process fluid, the instrument **must** be positioned higher than the pipe inlet (see Fig. 18). With a liquid process fluid, the instrument can be positioned higher or lower, indifferently (see Fig. 17 e 18).

Fig. 19 - Rack mounting



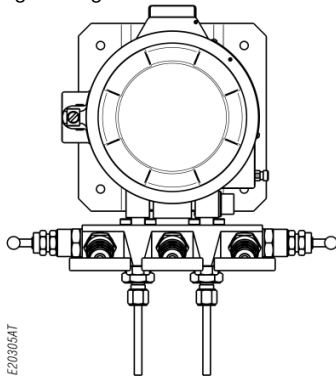
E2063AT

Fig. 20 – Instrument with diaphragm seals model DW496/DW197 and DA496/DA197



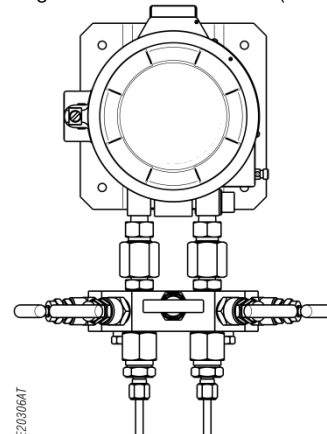
E20300AT

Fig. 21 – Mounting of flanged manifold valve

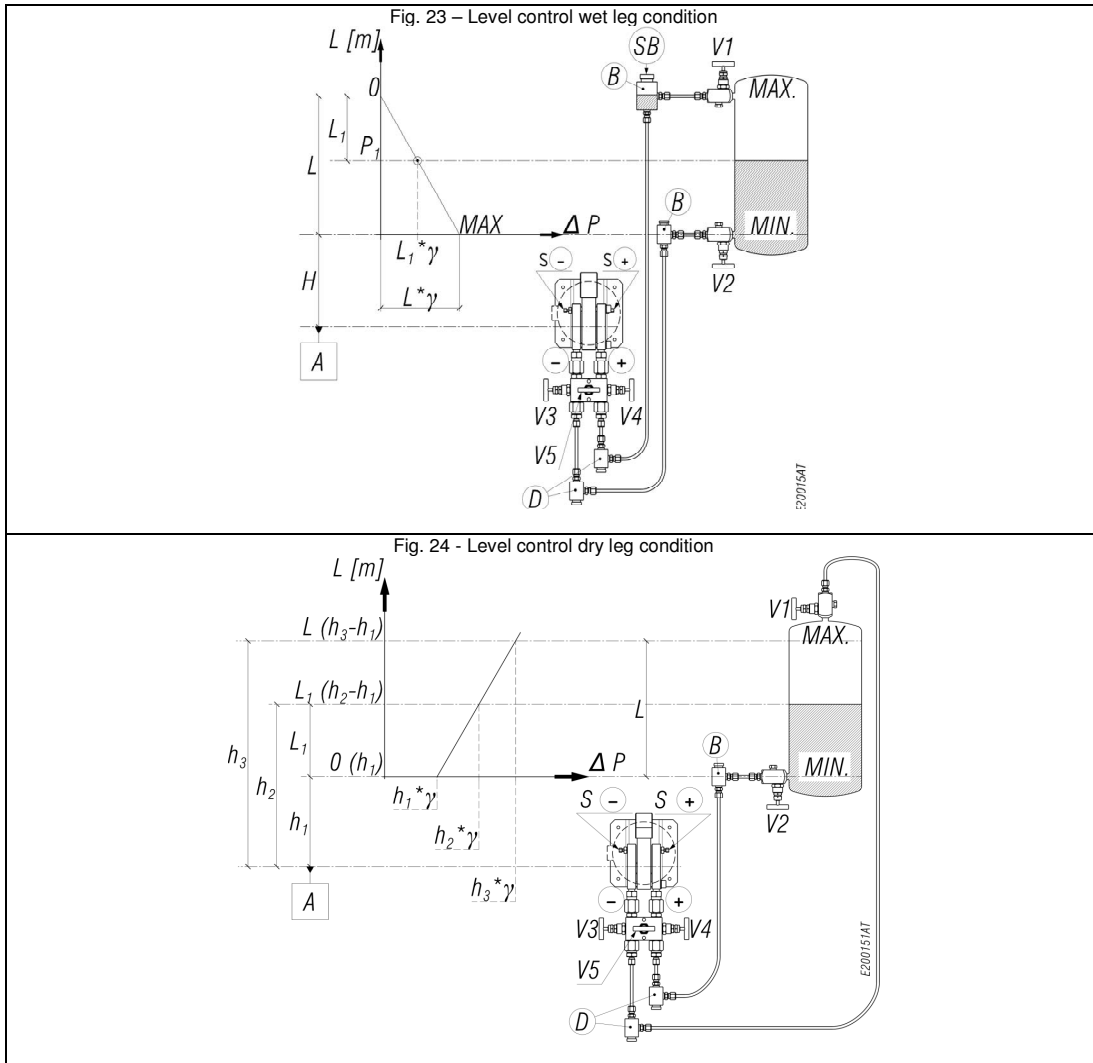


E20306AT

Fig. 22 – Mounting of direct manifold valve (1/2 G threads)



E20306AT



Annex 1 – Model code

1	MODEL CODE	D						For further information see datasheet
1.1	Ignition protection mode	W						Weather proof Ex d
1.2	Sensor code	A	L					Low differential pressure Medium differential pressure High differential pressure
1.3	Line (static) pressure		V	10	40	100	160	Max line pressure 10 bar Max line pressure 40 bar Max line pressure 100 bar Max line pressure 160 bar
1.4	Electric Contacts				U			One Two
1.5	Type of Electric Contact					N	S	Silver Silver + Argon sealed Gold Gold + Argon sealed Silver adjustable dead band
2	Options							Example: Intrinsic Safety execution