

Analogue ventilation duct temperature sensor Model A2G-61

WIKA data sheet TM 48.02



for further approvals
see page 3



Applications

- For measuring the temperature of gaseous media in ventilation and air-conditioning systems
- Monitoring of temperature in ventilation and air-conditioning ducts

Special features

- Simple mounting
- Various sensor lengths
- With mounting template
- NBR sealing for leak-free mounting
- Nominal size 100



Analogue ventilation duct temperature sensor,
model A2G-61

Description

The model A2G-61 analogue ventilation duct temperature sensor with analogue display is used for monitoring the temperature in ventilation systems.

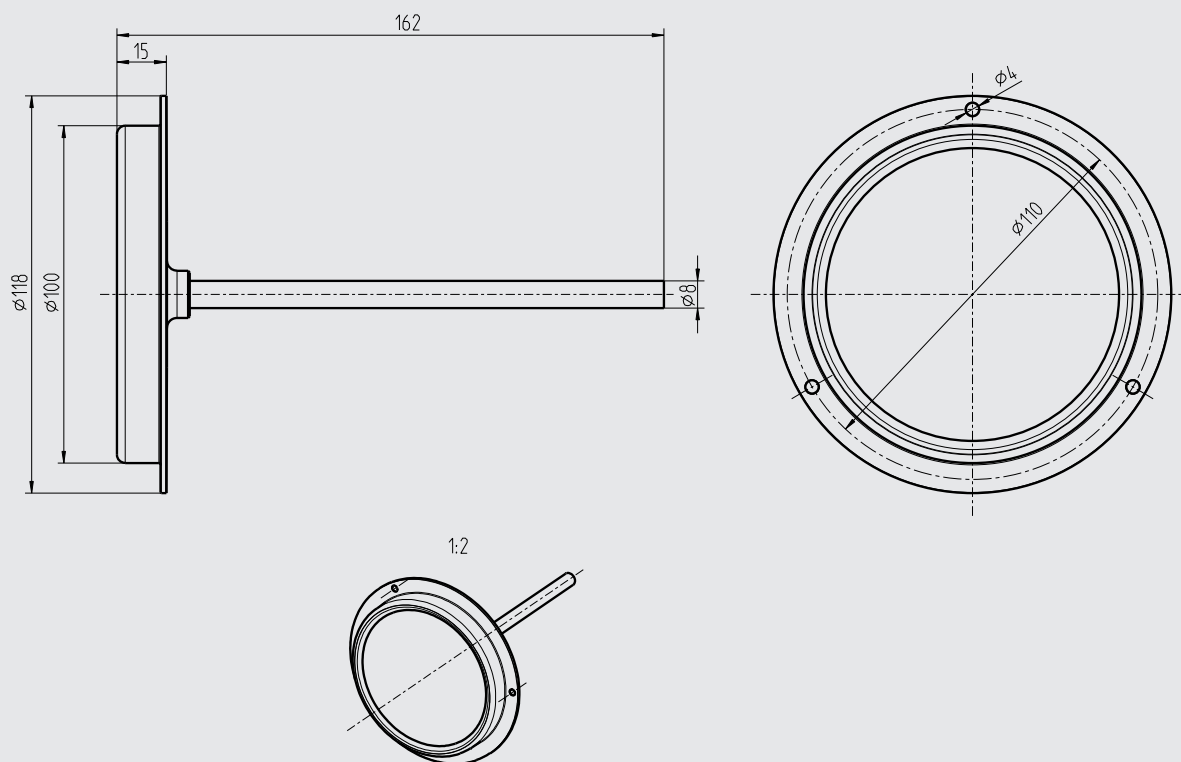
The temperature sensor is available in the probe lengths 100, 160, 200 and 300 mm. The NBR sealing, which is included in the delivery and already mounted, enables direct, leak-free mounting to the ventilation duct.

Specifications

Analogue ventilation duct temperature sensor, model A2G-61	
Nominal size	100
Measuring element	Bimetal coil
Scale range	-20 ... +60 °C
Accuracy	Class 2 per EN 13190
Case	Aluminium
Front bezel	Aluminium, anodised, colourless
Window	Clear non-splintering plastic
Sensor sleeve	Brass, Ø 9 mm with NBR seal
Connection form	Front bezel with 3 mounting screws
Insertion length	100, 160, 200, 300 mm
Zero adjustment	At bottom of stem

Dimensions in mm

Back mount



40404648.01

Approvals

Logo	Description	Country
	EU declaration of conformity <ul style="list-style-type: none">■ EMC directive■ RoHS conformity■ WEEE directive	European Union
	EAC (option) <ul style="list-style-type: none">■ Import certificate■ Pressure equipment directive	Eurasian Economic Community
	GOST (option) Metrology, measurement technology	Russia
	UkrSEPRO (option) Metrology, measurement technology	Ukraine

Certificates (option)

- 2.2 test report
- 3.1 inspection certificate

Approvals and certificates, see website

Scope of delivery

- Ventilation duct temperature sensor
- 3 mounting screws

Ordering information

Model / Measuring range

© 04/2012 WIKA Alexander Wiegand SE & Co. KG, all rights reserved.
The specifications given in this document represent the state of engineering at the time of publishing.
We reserve the right to make modifications to the specifications and materials.

