

Test gauge, copper alloy

Class 0.6, NS 160 [6"]

Model 312.20

WIKA data sheet PM 03.01

UK
CA

For further approvals,
see page 6

Applications

- For gaseous and liquid media that are not highly viscous or crystallising and will not attack copper alloy parts
- High-accuracy pressure measurement
- Testing of industrial type pressure gauges
- Precision measurement in laboratories

Special features

- Knife edge pointer for optimal accuracy of reading
- Precise movement with wear parts of Argentan
- Per EN 837-1 and ASME B40.100
- Accuracy of up to ± 0.25 % of measuring span (grade 3A)
- Scale ranges from 0 ... 0.6 bar to 0 ... 600 bar [0 ... 10 psi to 0 ... 10,000 psi]



Test gauge, model 312.20

Description

The model 312.20 mechanical test gauge has been specifically designed for the measurement of pressures with high accuracy. With its high accuracy, the Bourdon tube pressure gauge is suitable for testing industrial type pressure gauges or for precision measurement in laboratories.

For the respective measuring requirement, a scale range between 0 ... 0.6 bar and 0 ... 600 bar [0 ... 10 psi and 0 ... 10,000 psi] can be selected.

The model 312.20 is constructed with a case from stainless steel and wetted parts from copper alloy. The instrument meets the requirements of the international industry standard EN 837-1 for Bourdon tube pressure gauges.

The optimal readability of the instrument, with a nominal size of 160 mm [6"], is achieved via a knife edge pointer and a dial with fine divisions. In addition, a mirror band scale can be chosen to avoid the parallax error.

On request, a calibration certificate will be provided for this instrument.

Safe storage and transport is ensured by a transport case (accessory).

Specifications

| Basic information | |
|----------------------------|---|
| Standard | <ul style="list-style-type: none"> ■ EN 837-1 ■ ASME B40.100 <p>For information on the "Selection, installation, handling and operation of pressure gauges", see technical information IN 00.05</p> |
| Nominal size (NS) | Ø 160 mm [6"] |
| Connection location | <ul style="list-style-type: none"> ■ Lower mount ■ Lower back mount |
| Window | Instrument glass |
| Case | |
| Design | <ul style="list-style-type: none"> ■ Safety level "S0" per EN 837 ■ Safety level "S1" per EN 837: With blow-out device in case back |
| Material | Stainless steel |
| Ring | <ul style="list-style-type: none"> ■ Bayonet bezel, stainless steel ■ Triangular profile ring, polished stainless steel, with clamp |
| Mounting | <ul style="list-style-type: none"> ■ Without ■ Surface mounting flange, stainless steel ■ Panel mounting flange, stainless steel ■ Panel mounting flange, polished stainless steel ■ Triangular profile ring with mounting bracket, polished stainless steel ¹⁾ <p>For information on "Mounting types, mounting flanges, panel cutouts", see technical information IN 00.04</p> |
| Case filling | <ul style="list-style-type: none"> ■ Without ■ With case filling (model 333.50, see data sheet PM 03.06) |
| Movement | Copper alloy, wear parts Argentan |

1) Only for back mount

| Measuring element | |
|----------------------------------|---|
| Type of measuring element | Bourdon tube, C-type or helical type |
| Material | |
| < 100 bar | Copper alloy |
| ≥ 100 bar | Stainless steel 1.4404 (316L) |
| Leak tightness | <ul style="list-style-type: none"> ■ Leakage rate: < $1 \cdot 10^{-3}$ mbar l/s ■ Helium tested, leakage rate: < $1 \cdot 10^{-6}$ mbar l/s |

| Accuracy specifications | |
|-----------------------------|--|
| Accuracy class | |
| EN 837-1 | <ul style="list-style-type: none"> ■ Class 0.6 ■ Class 0.25 (selectable for scale ranges ≤ 400 bar [6,000 psi]) |
| ASME B40.100 | <ul style="list-style-type: none"> ■ ±0.5 % of measuring span (grade A) ■ ±0.25 % of measuring span (grade 3A) (selectable for scale ranges ≤ 400 bar [6,000 psi]) |
| Temperature error | On deviation from the reference conditions at the measuring system: ≤ ±0.4 % per 10 °C [≤ ±0.4 % per 18 °F] of full scale value |
| Reference conditions | |
| Ambient temperature | +20 °C [+68 °F] |

Scale ranges

| mbar | |
|-------------|-------------|
| 0 ... 600 | 0 ... 1,200 |
| 0 ... 1,000 | 0 ... 1,600 |
| 0 ... 1,100 | 0 ... 2,500 |

| bar | |
|-----------|-----------|
| 0 ... 0.6 | 0 ... 30 |
| 0 ... 1 | 0 ... 40 |
| 0 ... 1.6 | 0 ... 60 |
| 0 ... 2 | 0 ... 70 |
| 0 ... 2.5 | 0 ... 100 |
| 0 ... 4 | 0 ... 140 |
| 0 ... 6 | 0 ... 160 |
| 0 ... 7 | 0 ... 200 |
| 0 ... 10 | 0 ... 250 |
| 0 ... 14 | 0 ... 315 |
| 0 ... 16 | 0 ... 400 |
| 0 ... 20 | 0 ... 600 |
| 0 ... 25 | - |

| kPa | |
|-------------|--------------|
| 0 ... 60 | 0 ... 2,500 |
| 0 ... 70 | 0 ... 3,000 |
| 0 ... 100 | 0 ... 4,000 |
| 0 ... 160 | 0 ... 6,000 |
| 0 ... 200 | 0 ... 7,000 |
| 0 ... 250 | 0 ... 10,000 |
| 0 ... 300 | 0 ... 14,000 |
| 0 ... 400 | 0 ... 16,000 |
| 0 ... 600 | 0 ... 20,000 |
| 0 ... 700 | 0 ... 25,000 |
| 0 ... 1,000 | 0 ... 31,500 |
| 0 ... 1,400 | 0 ... 40,000 |
| 0 ... 1,600 | 0 ... 60,000 |

| psi | |
|-----------|--------------|
| 0 ... 10 | 0 ... 600 |
| 0 ... 15 | 0 ... 800 |
| 0 ... 30 | 0 ... 1,000 |
| 0 ... 60 | 0 ... 1,500 |
| 0 ... 100 | 0 ... 2,000 |
| 0 ... 150 | 0 ... 3,000 |
| 0 ... 160 | 0 ... 4,000 |
| 0 ... 200 | 0 ... 5,000 |
| 0 ... 250 | 0 ... 6,000 |
| 0 ... 300 | 0 ... 7,500 |
| 0 ... 400 | 0 ... 10,000 |
| 0 ... 500 | - |

| kg/cm ² | |
|--------------------|-----------|
| 0 ... 0.6 | 0 ... 30 |
| 0 ... 1 | 0 ... 40 |
| 0 ... 1.6 | 0 ... 60 |
| 0 ... 2 | 0 ... 70 |
| 0 ... 2.5 | 0 ... 100 |
| 0 ... 4 | 0 ... 140 |
| 0 ... 6 | 0 ... 160 |
| 0 ... 7 | 0 ... 200 |
| 0 ... 10 | 0 ... 250 |
| 0 ... 14 | 0 ... 315 |
| 0 ... 16 | 0 ... 400 |
| 0 ... 20 | 0 ... 600 |
| 0 ... 25 | - |

| MPa | |
|------------|------------|
| 0 ... 0.06 | 0 ... 3 |
| 0 ... 0.1 | 0 ... 4 |
| 0 ... 0.16 | 0 ... 6 |
| 0 ... 0.2 | 0 ... 7 |
| 0 ... 0.25 | 0 ... 10 |
| 0 ... 0.4 | 0 ... 14 |
| 0 ... 0.6 | 0 ... 16 |
| 0 ... 0.7 | 0 ... 20 |
| 0 ... 1 | 0 ... 25 |
| 0 ... 1.4 | 0 ... 31.5 |
| 0 ... 1.6 | 0 ... 40 |
| 0 ... 2 | 0 ... 60 |
| 0 ... 2.5 | - |

Vacuum and +/- scale ranges

| mbar | |
|----------------|------------------|
| -600 ... 0 | -1,000 ... 1,000 |
| -1,000 ... 0 | -1,000 ... 1,500 |
| -1,100 ... 0 | -1,000 ... 3,000 |
| -1,000 ... 600 | - |

| bar | |
|-------------|------------|
| -0.6 ... 0 | -1 ... +5 |
| -1 ... 0 | -1 ... +7 |
| -1 ... +1 | -1 ... +10 |
| -1 ... +1.5 | -1 ... +15 |
| -1 ... +2 | -1 ... +24 |
| -1 ... +3 | -1 ... +30 |
| -1 ... +4 | - |

| kPa | |
|---------------|-----------------|
| -60 ... 0 | -100 ... +500 |
| -100 ... 0 | -100 ... +700 |
| -100 ... +60 | -100 ... +900 |
| -100 ... +150 | -100 ... +1,000 |
| -100 ... +200 | -100 ... +1,500 |
| -100 ... +300 | -100 ... +2,400 |
| -100 ... +400 | -100 ... +3,000 |

| psi | |
|------------------|-------------------|
| -15 inHg ... 0 | -30 inHg ... +100 |
| -30 inHg ... +0 | -30 inHg ... +160 |
| -30 inHg ... +15 | -30 inHg ... +200 |
| -30 inHg ... +30 | -30 inHg ... +300 |
| -30 inHg ... +60 | - |

| kg/cm ² | |
|--------------------|------------|
| -0.6 ... 0 | -1 ... +5 |
| -1 ... 0 | -1 ... +7 |
| -1 ... 0.6 | -1 ... +9 |
| -1 ... +1 | -1 ... +10 |
| -1 ... +1.5 | -1 ... +15 |
| -1 ... +2 | -1 ... +24 |
| -1 ... +3 | -1 ... +30 |
| -1 ... +4 | - |

| MPa | |
|----------------|---------------|
| -0.06 ... 0 | -0.1 ... +0.5 |
| -0.1 ... 0 | -0.1 ... +0.7 |
| -0.1 ... +0.06 | -0.1 ... +0.9 |
| -0.1 ... +0.1 | -0.1 ... +1 |
| -0.1 ... +0.15 | -0.1 ... +1.5 |
| -0.1 ... +0.2 | -0.1 ... +2.4 |
| -0.1 ... +0.3 | -0.1 ... +3 |
| -0.1 ... +0.4 | - |

Further details on: Scale ranges

| Special scale ranges | Other scale ranges on request |
|----------------------------------|--|
| Unit | <input type="checkbox"/> mbar <input type="checkbox"/> bar <input type="checkbox"/> psi <input type="checkbox"/> kg/cm ² <input type="checkbox"/> kPa <input type="checkbox"/> MPa |
| Increased overload safety | <input type="checkbox"/> Without <input type="checkbox"/> 1.3 times The possibility of selection depends on the scale range |
| Vacuum resistance | <input type="checkbox"/> Without <input type="checkbox"/> Vacuum-resistant to -1 bar [-30 inHg] The possibility of selection depends on the scale range |

| Further details on: Scale ranges | |
|----------------------------------|--|
| Dial | |
| Scale colour | Black |
| Material | Aluminium |
| Special scale | Other scales or customer-specific dials, e.g. with red mark, circular arcs or circular sectors, on request |
| Pointer | Knife edge pointer, aluminium, black |
| Pointer stop pin | <ul style="list-style-type: none"> ■ Without ■ At 6 o'clock |

| Process connection | | |
|--------------------------|--|-------------------------------|
| Standard | <ul style="list-style-type: none"> ■ EN 837-1 ■ ISO 7 ■ ANSI/B1.20.1 | |
| Size | | |
| EN 837-1 | <ul style="list-style-type: none"> ■ G ¼ B, male thread ■ G ½ B, male thread ■ G ¾ B, male thread | |
| ISO 7 | <ul style="list-style-type: none"> ■ R ¼, male thread ■ R ½, male thread | |
| ANSI/B1.20.1 | <ul style="list-style-type: none"> ■ ¼ NPT, male thread ■ ½ NPT, male thread | |
| Restrictor | <ul style="list-style-type: none"> ■ Without ■ Ø 0.6 mm [0.024"], copper alloy | |
| Material (wetted) | | |
| Measuring element | < 100 bar | Copper alloy |
| | ≥ 100 bar | Stainless steel 1.4404 (316L) |
| Process connection | Copper alloy | |

Other process connections on request

| Operating conditions | |
|--|--|
| Medium temperature | <ul style="list-style-type: none"> ■ +80 °C [+176 °F] ■ +100 °C [+212 °F] ■ +200 °C [+392 °F] (only model 332.50, see data sheet PM 03.06) |
| Ambient temperature | -20 ... +60 °C [-4 ... +140 °F] |
| Pressure limitation | |
| Steady | Full scale value |
| Fluctuating | 0.9 x full scale value |
| Short time | 1.3 x full scale value |
| Ingress protection per IEC/EN 60529 | IP54 |
| Adjustment medium | <ul style="list-style-type: none"> ■ Liquid for scale ranges > 25 bar [400 psi]; gas for scale ranges ≤ 25 bar [400 psi] ■ Gas for all scale ranges |

| Packaging | |
|------------------|--|
| Packaging | <ul style="list-style-type: none"> ■ Packaging with increased shock resistance ■ Plastic bag ■ Transport case |

Approvals

| Logo | Description | Country |
|----------|---|----------------|
| CE | EU declaration of conformity | European Union |
| | Pressure Equipment Directive PS > 200 bar, module A, pressure accessory | |
| UK CA | UKCA | United Kingdom |
| | Pressure equipment (safety) regulations | |
| - | CRN Safety (e.g. electr. safety, overpressure, ...) For scale ranges ≤ 1,000 bar | Canada |

Optional approvals

| Logo | Description | Country |
|------|--|------------|
| KG | PAC Kazakhstan Metrology, measurement technology | Kazakhstan |
| - | MChS Permission for commissioning | Kazakhstan |
| - | PAC Ukraine Metrology, measurement technology | Ukraine |
| - | PAC China Metrology, measurement technology | China |

Manufacturer's information and certificates

| Logo | Description |
|------|---|
| - | Pressure Equipment Directive (PED) for maximum allowable pressure PS ≤ 200 bar |
| - | Suitability of wetted materials for drinking water in accordance with the European 4MS initiative |

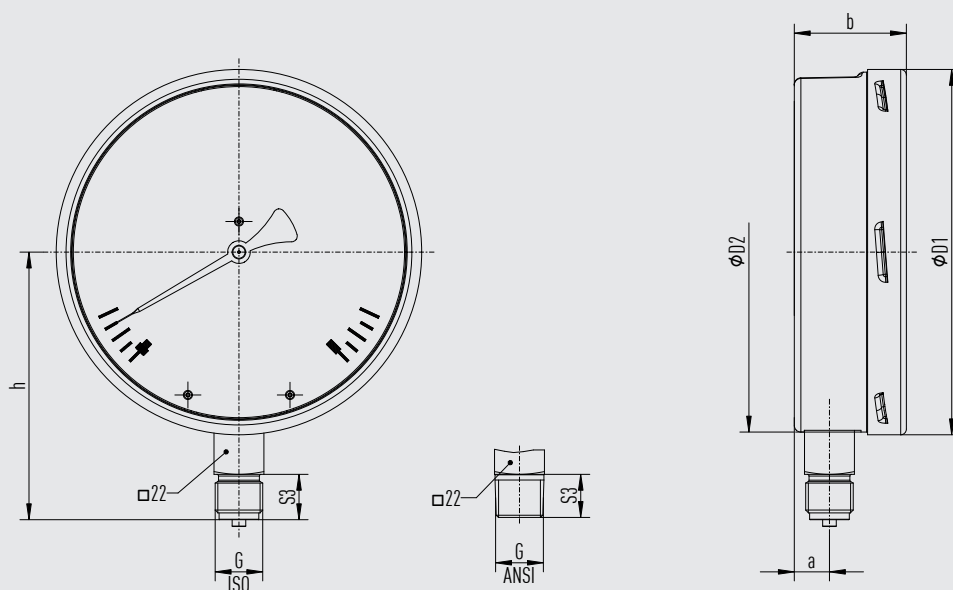
Certificates (option)

| Certificates | |
|---|--|
| Certificates | <ul style="list-style-type: none"> ■ 2.2 test report per EN 10204 (e.g. state-of-the-art manufacturing, indication accuracy) ■ 3.1 inspection certificate per EN 10204 (e.g. material proof for wetted metal parts, indication accuracy) ■ PCA calibration certificate, traceable and accredited in accordance with ISO/IEC 17025 ■ Calibration certificate by a national accreditation body, traceable and accredited in accordance with ISO/IEC 17025 on request |
| Recommended calibration interval | 1 year (dependent on conditions of use) |

→ For approvals and certificates, see website

Dimensions in mm [in]

Lower mount



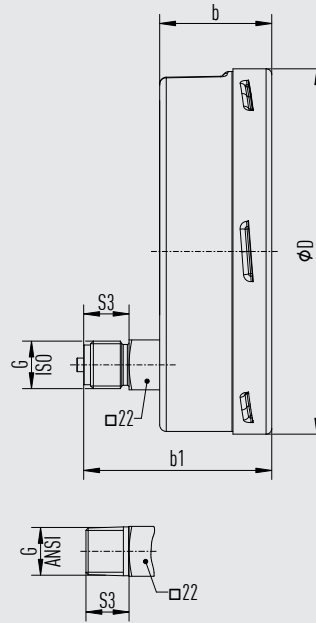
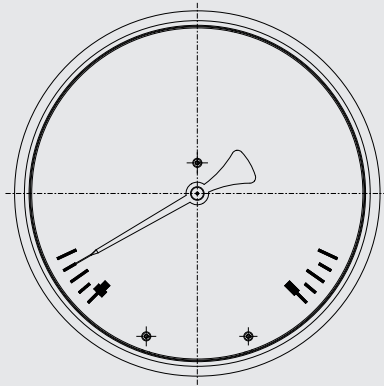
14582039.01

Weight: Approx. 1.5 kg [4.02 lb]

| NS | G | Dimensions in mm [in] | | | | | |
|----------|------------|-----------------------|-----------|-------------|----------------------------------|------------|------------|
| | | $h \pm 1$ [0.04] | S3 | a | $b \pm 0.5$ [0.02] ¹⁾ | D1 | D2 |
| 160 [6"] | G ¼ B | 111 [4.37] | 13 [0.51] | 15.5 [0.61] | 49.5 [1.95] | 161 [6.34] | 159 [6.26] |
| | G ½ B | 118 [4.65] | 20 [0.79] | 15.5 [0.61] | 49.5 [1.95] | 161 [6.34] | 159 [6.26] |
| | ¼ NPT, R ¼ | 111 [4.37] | 13 [0.51] | 15.5 [0.61] | 49.5 [1.95] | 161 [6.34] | 159 [6.26] |
| | ½ NPT, R ½ | 117 [4.61] | 19 [0.75] | 15.5 [0.61] | 49.5 [1.95] | 161 [6.34] | 159 [6.26] |

1) Plus 16 mm [0.630 in] with scale ranges $\geq 0 \dots 100$ bar [$\geq 0 \dots 1,500$ psi]

Lower back mount






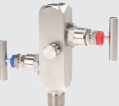
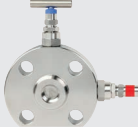


14582040.01

Weight: Approx. 1.5 kg [4.02 lb]

| NS | G | Dimensions in mm [in] | | | |
|----------|------------|-------------------------|------------------------|-----------|------------|
| | | $b \pm 0.5 [0.02]^{1)}$ | $b1 \pm 1 [0.04]^{1)}$ | S3 | D |
| 160 [6"] | G ¼ B | 49.5 [1.95] | 76 [2.99] | 13 [0.51] | 161 [6.34] |
| | G ½ B | 49.5 [1.95] | 83 [3.27] | 20 [0.79] | 161 [6.34] |
| | ¼ NPT, R ¼ | 49.5 [1.95] | 76 [2.99] | 13 [0.51] | 161 [6.34] |
| | ½ NPT, R ½ | 49.5 [1.95] | 82 [3.23] | 19 [0.75] | 161 [6.34] |

1) Plus 16 mm [0.630 in] with scale ranges $\geq 0 \dots 100$ bar [$\geq 0 \dots 1,500$ psi]

Accessories and spare parts

| Model | Description |
|---|---|
|  | 910.17 Seals → See data sheet AC 09.08 |
|  | 910.15 Syphons → See data sheet AC 09.06 |
|  | 910.13 Overpressure protector → See data sheet AC 09.04 |
|  | IV10, IV11 Needle valve and multiport valve → See data sheet AC 09.22 |
|  | IV20, IV21 Block-and-bleed valve → See data sheet AC 09.19 |
|  | IVM Monoflange, process and instrument version → See data sheet AC 09.17 |
|  | BV Ball valve, process and instrument version → See data sheet AC 09.28 |
|  | IBF2, IBF3 Monoblock with flange connection → See data sheet AC 09.25 |

Ordering information

Model / Nominal size / Scale range / Process connection / Connection location / Options

© 09/2008 WIKA Alexander Wiegand SE & Co. KG, all rights reserved.

The specifications given in this document represent the state of engineering at the time of publishing.

We reserve the right to make modifications to the specifications and materials.

In case of a different interpretation of the translated and the English data sheet, the English wording shall prevail.

