

# Pressure gauge per EN 837-1 with mounted diaphragm seal With milk thread fitting Model DSS18F

WIKA data sheet DS 95.04



## Applications

- Hygienic pressure measurement in sanitary applications for the food and beverage industry
- For dairies, dairy products, breweries and soft drink production
- Mechanical pressure display on pipelines and vessels
- For gases, vapour; liquid, pasty, powdery and crystallising media

## Special features

- Quick cleaning, without residue
- Milk thread fitting per DIN 11851
- Suitable for cleaning out of place (COP)



Diaphragm seal system, model DSS18F

## Description

Diaphragm seal systems are used to protect the pressure measuring instrument from aggressive, adhesive, crystallising, corrosive, highly viscous, environmentally hazardous or toxic media. The diaphragm made of stainless steel provides for the separation from the medium. The pressure is transmitted to the measuring instrument via the system fill fluid which is inside the Diaphragm seal system.

The DSS18F complies with all requirements of the food industry. The milk thread fitting enables a hygienic process connection. The requirements of COP (Cleaning out of Place) are fulfilled.

The diaphragm seal systems can withstand the cleaning vapour temperatures occurring in the SIP processes and thus ensure a sterile connection between the medium to be measured and the diaphragm seal.

The proven, all-welded construction ensures a long service life and permanent sealing.

The DSS18F is used for pressure measurement in various process steps, e.g. filtration, separation, pasteurisation, and in filling systems.

## Specifications

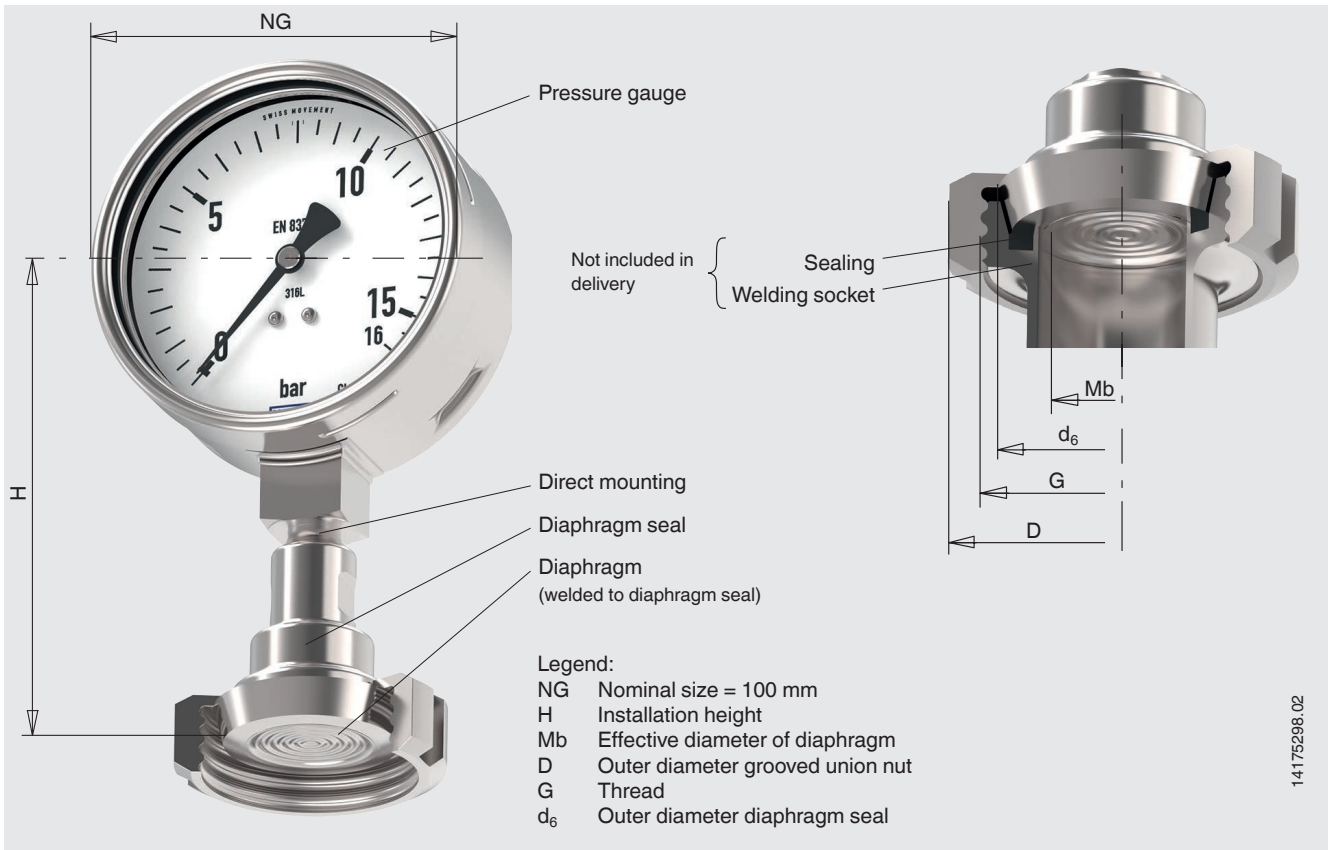
Model DSS18F	
<b>Design</b>	Pressure gauge with Bourdon tube per EN 837-1, welded to diaphragm seal
<b>Nominal size (NS)</b>	100
<b>Accuracy class</b>	1.0
<b>Scale range</b>	0 ... 1 to 0 ... 25 bar [0 ... 15 to 0 ... 360 psi] or all other equivalent vacuum or combined pressure and vacuum ranges
<b>Pressure limitation</b>	Steady: Full scale value Fluctuating: 0.9 x full scale value Short time: 1.3 x full scale value
<b>Permissible temperature range</b>	Medium: 10 ... 80 °C [50 ... 176 °F] for CIP and SIP max. 130 °C [266 °F] Ambient: 10 ... 40 °C [50 ... 104 °F] Storage: 10 ... 60 °C [50 ... 140 °F]
<b>Ingress protection</b>	IP65 per IEC/EN 60529
<b>Material</b>	
wetted	Diaphragm: Stainless steel 1.4435 [316L] Diaphragm seal: Stainless steel
non-wetted	Dial, pointer: Aluminium Case: Stainless steel 1.4301 [304] Window: Laminated safety glass
<b>Surface roughness</b>	
wetted	Ra ≤ 0.76 µm [30 µin] per ASME BPE SF3 (except for weld seam)
non-wetted	Case: Ra ≤ 0.76 µm [30 µin] (except for weld seam)
<b>Level of cleanliness of wetted parts</b>	Oil and grease free per ASTM G93-03 level F (WIKA standard) (< 1,000 mg/m <sup>2</sup> )
<b>System fill fluid</b>	Medicinal white mineral oil KN 92 (FDA 21 CFR 172.878, 21 CFR 178.3620(a); USP, EP, JP)

### Measuring ranges in bar [psi]

Gauge pressure			
0 ... 1 [0 ... 15]	0 ... 1.6 [0 ... 25]	0 ... 2.5 [0 ... 40]	0 ... 4 [0 ... 60]
0 ... 6 [0 ... 100]	0 ... 10 [0 ... 160]	0 ... 16 [0 ... 250]	0 ... 25 [0 ... 300]

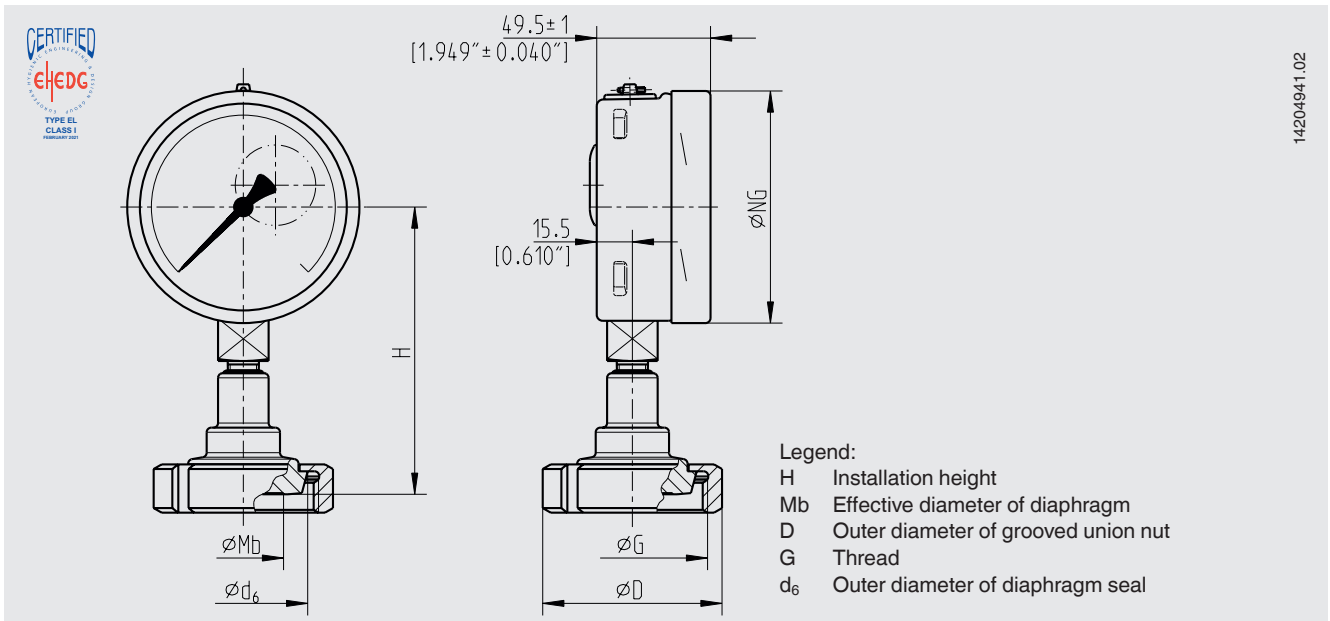
Vacuum and +/- measuring range		
-1 ... +5 [-30 inHg ... +70]	-1 ... +9 [-30 inHg ... +130]	-1 ... +10 [-30 inHg ... +145]

**Model DSS18F illustrated on a pipe socket**



14175298.02

## Dimensions in mm [in]



**Type of process connection: Milk thread fitting following DIN 11851**

Pipe standard: Pipes per DIN 11850 row 2

DN	For pipe Outer $\varnothing$ x wall thick- ness	PN	Dimensions in mm [in]					
			NS	G	H	D	$d_6$	Mb
25	29 x 1.5 [1.142 x 0.059]	40	100 [3.937]	RD 52 x 1/6 [2.047 x 1/6]	123 [4.843]	63 [2.48]	44 [1.732]	26 [1.024]
40	41 x 1.5 [1.614 x 0.059]	40	100 [3.937]	RD 65 x 1/6 [2.559 x 1/6]	125 [4.921]	78 [3.071]	56 [2.205]	35 [1.378]
50	53 x 1.5 [2.087 x 0.059]	25	100 [3.937]	RD 78 x 1/6 [3.071 x 1/6]	125 [4.921]	92 [3.622]	68.5 [2.697]	52 [2.047]

## Approvals

Logo	Description	Country
	<b>EHEDG</b> Hygienic Equipment Design	European Community

## Certificates (option)

- 3.1 inspection certificate per EN 10204 (e.g. material proof for wetted metallic parts, calibration certificate)
- 3.1 calibration certificate (list of single measured values; 5 measuring points)

Approvals and certificates, see website

## Ordering information

Scale range / Process connection (type of process connection, pipe standard, pipe dimension) / Parts / Certificates

© 02/2017 WIKA Alexander Wiegand SE & Co. KG, all rights reserved.  
The specifications given in this document represent the state of engineering at the time of publishing.  
We reserve the right to make modifications to the specifications and materials.

