

NEUMO BioControl® Model 910.60

WIKA Data Sheet AC 09.14

Applications

- Bio and pharmaceutical industry
- Sanitary applications
- Food industry

Special Features

- NEUMO BioControl® connection
- No dead space
- Hygienic design
- Materials and surface-finish quality in accordance with the guidelines and standards of the pharmaceutical industry

Description

The pharmaceutical grade BioControl® System is used to adapt pressure and temperature measuring instruments to pipelines and vessels. It has been specifically developed for applications in sterile process engineering.

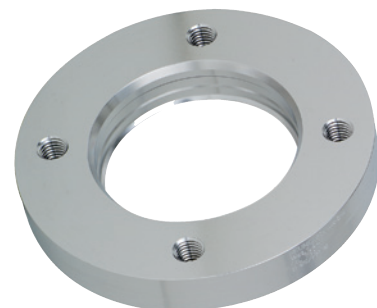
For the sophisticated requirements within the sterile process industries, various different designs of the BioControl® system are available, with type-test approval.



Housing (G)



Housing, angled variant (U)



Mounting flange (B)

Features

Housing (G)

This is a flow-through housing with welding ends for direct orbital-welding into the pipeline (process connection). Using two aseptic flange connections (BioControl® connection), ensure dead-space-free and hygienic standard compliant connection of pressure and/or temperature measuring instruments.

Housing, angled variant (U)

This is a 90° angled variant of the flow-through housing. This design is particularly suitable for the adaptation of temperature measuring instruments with long insertion lengths.

Mounting flange (B)

The mounting flange has been developed for the adaptation of pressure and temperature measuring instruments to sterile vessels. It enables the flush mounting of instrumentation without dead spaces to vessels.

Blind flange (D)

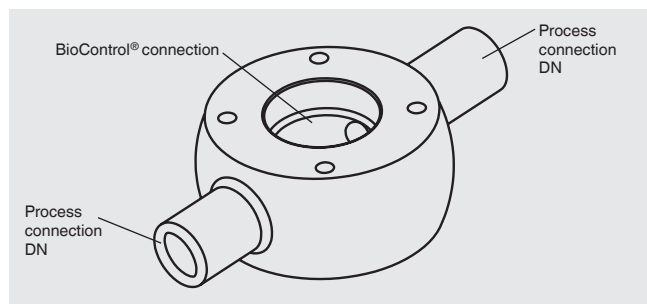
To seal the housing or the angled housing variant.

Limits of application

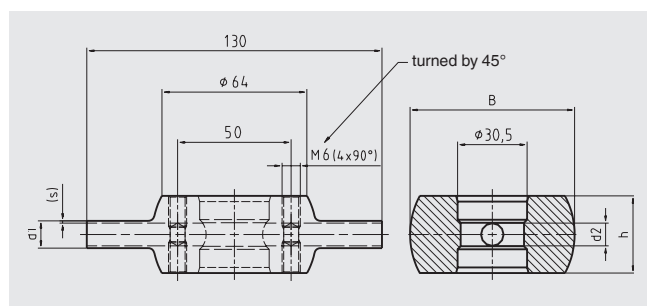
- Pressure rating: PN 16
- Temperature: -10 ... +150 °C (Blind flange -10 ... +135 °C, short term 150 °C)

Housing (G)

BioControl® connection size 25



Dimensions in mm



Inspection glass set (S)

Consisting of:

- Inspection glass plate from borosilicate, suitable for working pressures of up to 10 bar
- Sealing cover from stainless steel 1.4404/1.4435 (316L)
- Flat gasket
- Stainless steel screws

Material

Stainless steel 1.4435

Inner Ra < 0.8 μm , superfinish-turned and electropolished

Washers

- EPDM (FDA approved)
- FPM/FKM with FEP covering (FDA approved)

Possible connections

- Pressure measuring instrument with diaphragm seal Model 990.60, see data sheet DS 99.55
- Pressure transmitter Model SA-11, see data sheet PE 81.80
- Process pressure transmitter Model IPT-11, see data sheet PE 86.11
- Diaphragm Pressure Gauge Model PG43SA, see data sheet PM 04.15
- Resistance thermometer Model TR20, see data sheet TE 60.20
- Resistance thermometer for Thermowell Model TW22, see data sheet TE 60.22
- Gas actuated thermometer Model 74, see data sheet TM 74.01

For pipes per DIN 11 866 Series A, DIN 11 850

DN	Dimensions in mm				
in mm	d1	d2	s	h	B
6	8	6	1	28	70
8	10	8	1	30	71
10	13	10	1.5	32	71.5
15	19	16	1.5	38	74.5
20	23	20	1.5	42	76.5

For pipes per DIN 11 866 Series B, DIN EN ISO 1127

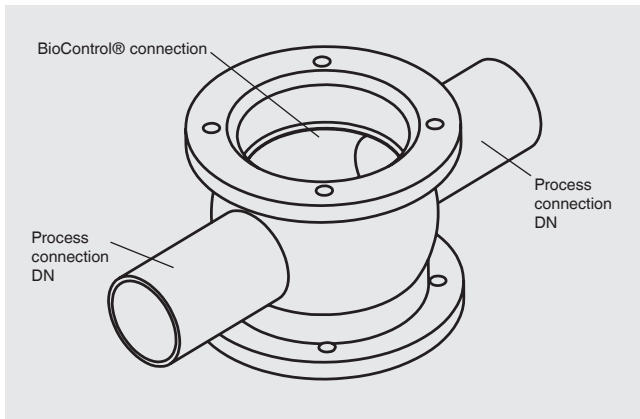
DN	Dimensions in mm				
in mm	d1	d2	s	h	B
13.5	13.5	10.3	1.6	32.3	72
17.2	17.2	14	1.6	36	73.5
21.3	21.3	18.1	1.6	40.1	75.5
26.9	26.9	23.7	1.6	45.7	78.5

For pipes per DIN 11 866 Series C, ASME-BPE

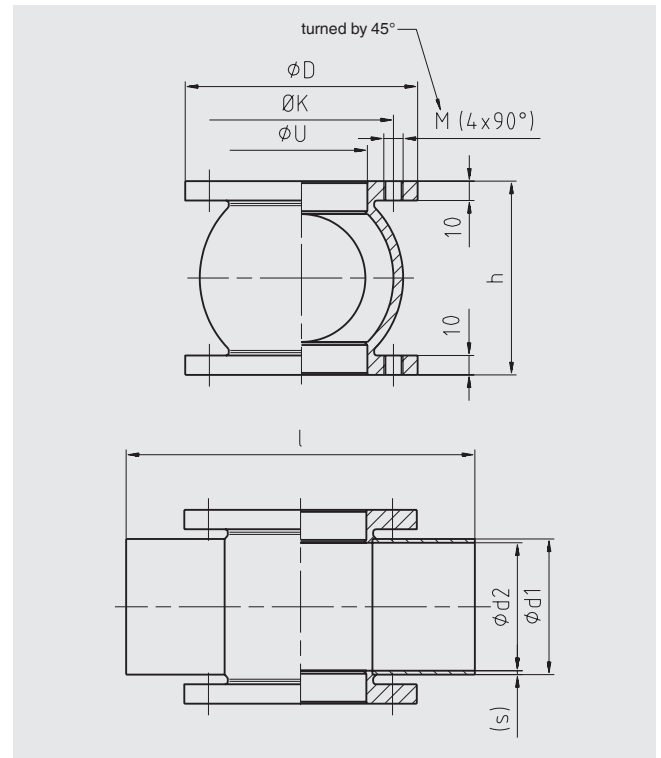
DN	Dimensions in mm				
in mm	d1	d2	s	h	B
1/2"	12.7	9.4	1.65	31.4	71.5
3/4"	19.05	15.75	1.65	37.75	74.5
1"	25.4	22.1	1.65	44.1	78

Housing (G)

BioControl® connection size 50 and 65



Dimensions in mm



For pipes per DIN 11 866 Series A, DIN 11 850

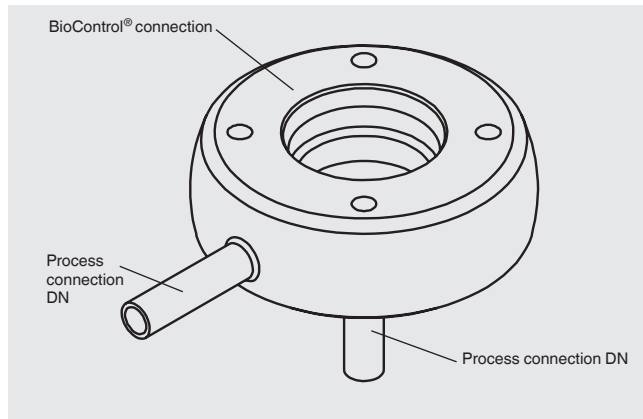
BioControl® connection	DN in mm	Dimensions in mm								
		d1	d2	s	h	l	D	K	U	M
Size 50	25	29	26	1.5	60	150	90	70	50.1	M8
	32	35	32	1.5	66	150	90	70	50.1	M8
	40	41	38	1.5	72	150	90	70	50.1	M8
	50	53	50	1.5	84	150	90	70	50.1	M8
	65	70	66	2	100	170	90	70	50.1	M8
	80	85	81	2	115	170	90	70	50.1	M8
	100	104	100	2	134	170	90	70	50.1	M8
Size 65	40	41	38	1.5	72	180	120	95	68.1	M10
	50	53	50	1.5	84	180	120	95	68.1	M10
	65	70	66	2	100	200	120	95	68.1	M10
	80	85	81	2	115	200	120	95	68.1	M10
	100	104	100	2	134	200	120	95	68.1	M10

For pipes per DIN 11 866 Series B, DIN EN ISO 1127

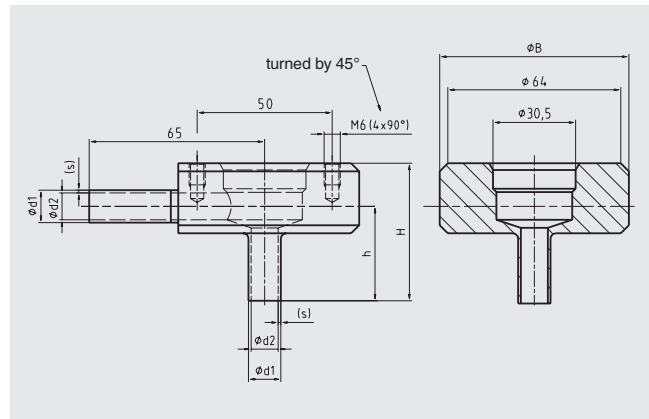
BioControl® connection	DN in mm	Dimensions in mm								
		d1	d2	s	h	l	D	K	U	M
Size 50	33.7	33.7	29.7	2	63.7	150	90	70	50.1	M8
	42.4	42.4	38.4	2	76.4	150	90	70	50.1	M8
	48.3	48.3	44.3	2	78.3	150	90	70	50.1	M8
	60.3	60.3	56.3	2	90.3	150	90	70	50.1	M8
	76.1	76.1	72.1	2	106.7	170	90	70	50.1	M8
	88.9	88.9	84.3	2.3	118.3	170	90	70	50.1	M8
	114.3	114.3	109.7	2.3	144.3	170	90	70	50.1	M8
Size 65	48.3	48.3	44.3	2	78.3	180	120	95	68.1	M10
	60.3	60.3	56.3	2	90.3	180	120	95	68.1	M10
	76.1	76.1	72.1	2	106.7	200	120	95	68.1	M10
	88.9	88.9	84.3	2.3	118.3	200	120	95	68.1	M10
	114.3	114.3	109.7	2.3	144.3	200	120	95	68.1	M10

Housing, angled variant (U)

BioControl® connection size 25



Dimensions in mm

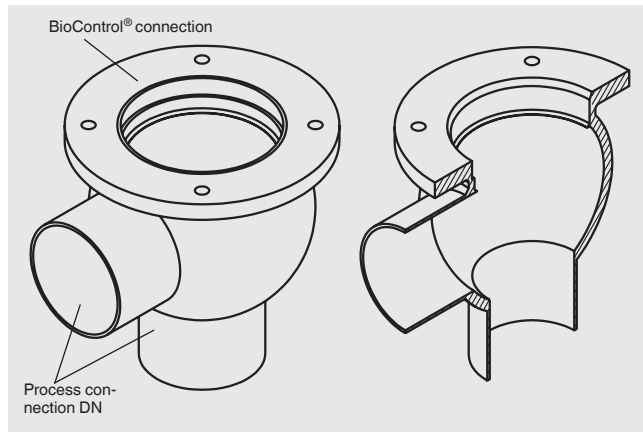


For pipes per DIN 11 866 Series A, DIN 11 850

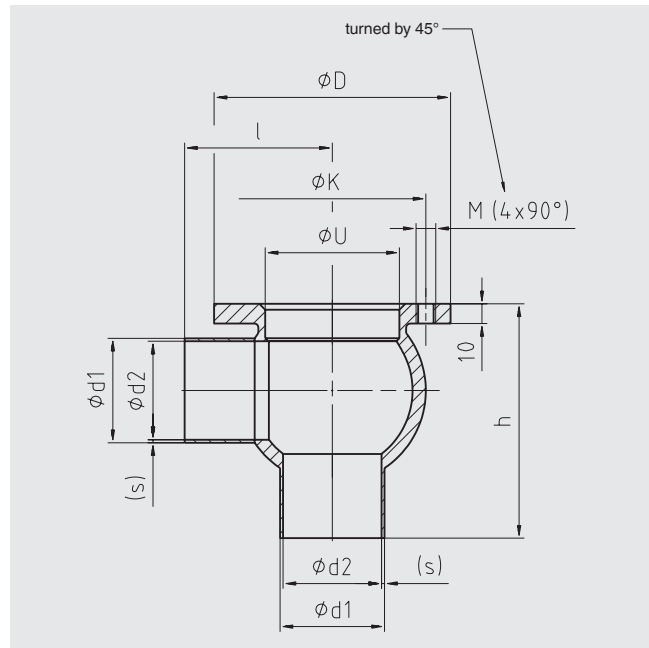
DN	Dimensions in mm						
	in mm	d1	d2	s	h	B	H
6	8	6	1	34	70	48	
8	10	8	1	35	70	50	
10	13	10	1.5	35	70	51	
15	19	16	1.5	41	72	60	
20	23	20	1.5	41	73	65	

Housing, angled variant (U)

BioControl® connection size 50 and 65



Dimensions in mm



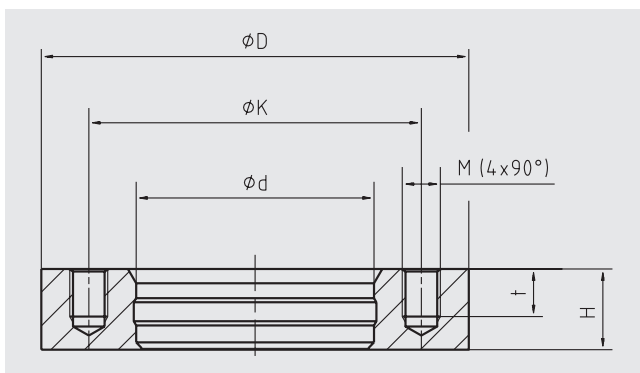
For pipes per DIN 11 866 Series A, DIN 11 850

BioControl® connection	DN	Dimensions in mm								
	in mm	d1	d2	s	h	l	D	K	U	M
Size 50	25	29	26	1.5	90	75	90	70	50.1	M8
	32	35	32	1.5	90	75	90	70	50.1	M8
	40	41	38	1.5	95	75	90	70	50.1	M8
	50	53	50	1.5	105	75	90	70	50.1	M8
	65	70	66	2	130	85	90	70	50.1	M8
	80	85	81	2	145	90	90	70	50.1	M8
	100	104	100	2	165	100	90	70	50.1	M8
Size 65	40	41	38	1.5	105	90	120	95	68.1	M10
	50	53	50	1.5	112	90	120	95	68.1	M10
	65	70	66	2	130	100	120	95	68.1	M10
	80	85	81	2	145	100	120	95	68.1	M10
	100	104	100	2	165	100	120	95	68.1	M10

For pipes per DIN 11 866 Series B, DIN EN ISO 1127

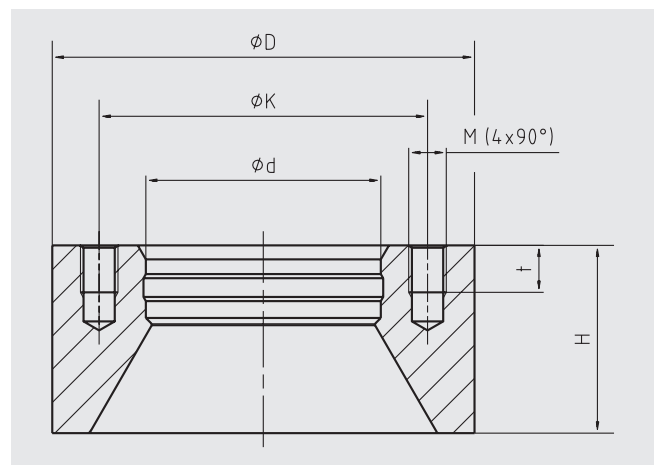
BioControl® connection	DN	Dimensions in mm								
	in mm	d1	d2	s	h	l	D	K	U	M
Size 50	33.7	33.7	29.7	2	95	75	90	70	50.1	M8
	42.4	42.4	38.4	2	95	75	90	70	50.1	M8
	48.3	48.3	44.3	2	100	75	90	70	50.1	M8
	60.3	60.3	56.3	2	110	75	90	70	50.1	M8
	76.1	76.1	72.1	2	135	85	90	70	50.1	M8
	88.9	88.9	84.3	2.3	150	90	90	70	50.1	M8
	114.3	114.3	109.7	2.3	175	100	90	70	50.1	M8
Size 65	48.3	48.3	44.3	2	107	90	120	95	68.1	M10
	60.3	60.3	56.3	2	115	90	120	95	68.1	M10
	76.1	76.1	72.1	2	135	100	120	95	68.1	M10
	88.9	88.9	84.3	2.3	155	100	120	95	68.1	M10
	114.3	114.3	109.7	2.3	175	100	120	95	68.1	M10

Mounting flange (B)



Mounting flange low design

BioControl® connection	Dimensions in mm					
	d	D	K	H	t	M
Size 25	30.5	64	50	11	6.5	M6
Size 50	50	90	70	17	10	M8
Size 65	68	120	95	17	10	M10
Size 80	87.5	140	115	25	12	M10

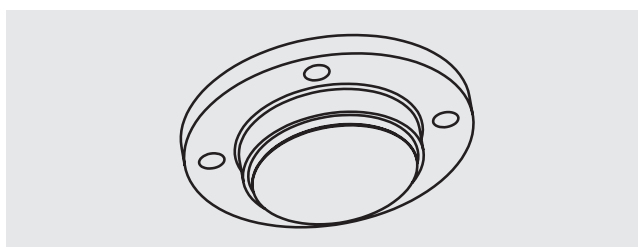
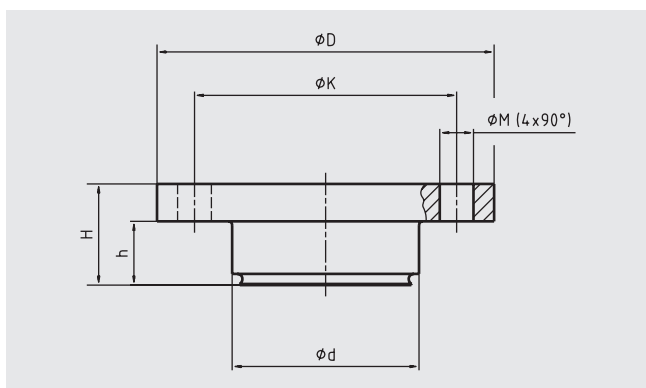


Mounting flange high design

BioControl® connection	Dimensions in mm					
	d	D	K	H	t	M
Size 25 h	30.5	64	50	25	7	M6
Size 50 h	50	90	70	40	10	M8
Size 65 h	68	120	95	50	12	M10

Blind flange (D)

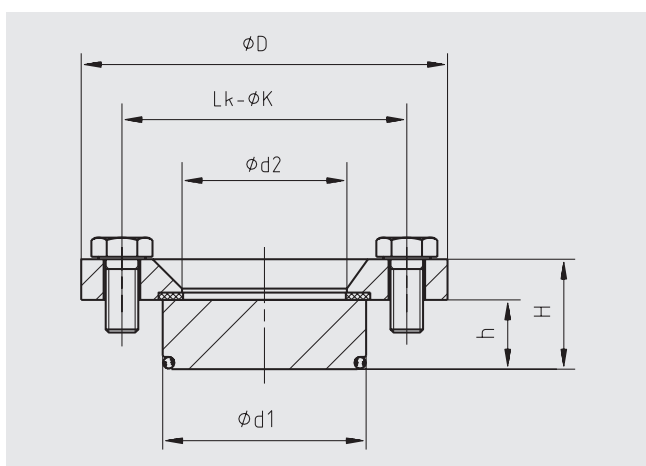
Dimensions in mm



BioControl® connection	Dimensions in mm					
	d	D	K	H	h	M
Size 25	30.5	64	50	20	11	7
Size 50	50	90	70	27	17	9
Size 65	68	120	95	27	17	11
Size 80	87.5	140	115	37	25	11

Glass set (S)

Dimensions in mm



BioControl® connection	Dimensions in mm							O-Ring	Sealing ring
	d1	d2	D	K	H	h			
Size 25	30.5	25	64	50	20	11	Ø 23.5 x 3	Ø 32/26 x 1.5	
Size 50	50	40.5	90	70	27	17	Ø 42 x 3	Ø 52/40 x 1.5	
Size 65	68	58.5	120	95	27	17	Ø 60 x 3	Ø 70/58 x 1.5	
Size 80	87.5	78	140	115	37	25	Ø 78 x 3	Ø 87.5/78 x 1.5	

Ordering information

Model / Features (housing, housing angled variant, mounting flange, blind flange, glass set) / BioControl® connection size / Nominal size DN / Washer

The specifications given in this document represent the state of engineering at the time of publishing. We reserve the right to make modifications to the specifications and materials.



WIKAI Alexander Wiegand SE & Co. KG
 Alexander-Wiegand-Straße 30
 63911 Klingenberg/Germany
 Tel. (+49) 9372/132-0
 Fax (+49) 9372/132-406
 E-mail info@wika.de
 www.wika.de