

Dive depth gauge For scuba diving Model 616.06.050

WIKA data sheet PM 06.13

Applications

- For hobby and professional divers

Special features

- Can be used for dive depths of up to 70 m
- Compact design
- Drag pointer for indicating the maximum dive depth reached (peak-hold function)
- High impact resistance of the window from polycarbonate



Dive depth gauge model 616.06.050

Description

The model 616.06.050 dive depth gauge meets the highest standards in terms of quality and reliability in scuba diving applications. The compact instrument is a component of diving equipment for hobby and professional divers.

The dive depth gauge is available for scale ranges of 60 m and 70 m dive depths. For divers in English-speaking countries, the scale of the dial can be selected in "feet".

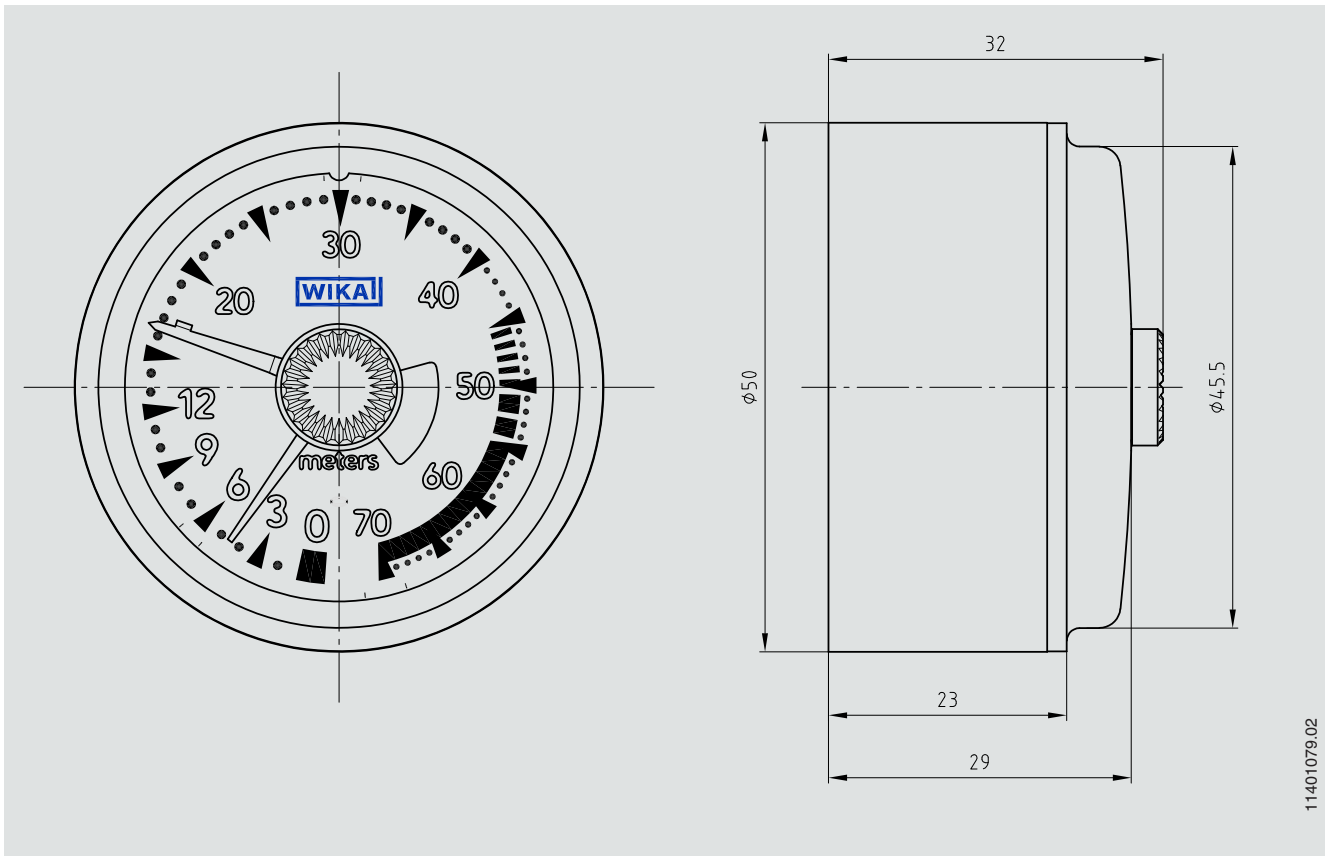
The instruments of this model are designed and manufactured in accordance with the requirements of DIN EN 13319. The scale range of 70 m has a scale which is spread over the first half for better readability at small dive depths. The instruments are generally fitted with a drag pointer for maximum value indication.

Phosphorescent dials with long persistence enable reading even in low-light conditions.

Specifications

Model 616.06.050	
Design	Per DIN EN 13319
Nominal size	50
Accuracy	Corresponds to definition per DIN EN 13319
Dive depth scale range	<ul style="list-style-type: none"> ■ 60 m ■ 70 m Scale ranges also available in the unit of "feet"
Working range	Max. full scale value
Case	PC / ABS
Window	PC
Dial	Plastic, phosphorescent with long fade-out time
Pointer	Aluminium, black
Movement	Brass
Pressure element	Copper alloy (Cu) or copper beryllium alloy (CuBe)
Temperatures	
Medium	3 ... 70 °C
Ambient	-10 ... +70 °C
Temperature effect	When the temperature of the measuring system deviates from the reference temperature (+20 °C): max. ±0.4 %/10 K of the span
Weight	approx. 74 g

Dimensions in mm



11401079.02

Ordering information

Model / Dive depth scale range / Unit of the scale

© 02/2019 WIKA Alexander Wiegand SE & Co. KG, all rights reserved.
The specifications given in this document represent the state of engineering at the time of publishing.
We reserve the right to make modifications to the specifications and materials.



WIKAL Alexander Wiegand SE & Co. KG
Alexander-Wiegand-Straße 30
63911 Klingenberg/Germany
Tel. +49 9372 132-0
Fax +49 9372 132-406
info@wika.de
www.wika.com