

Bourdon Tube Caisson Pressure Gauges Room Pressure Gauge Model 232.01, Stainless Steel Version

WIKA Data Sheet SP 02.20

Applications

- Pressure measurement in rooms, pressure chambers and positive pressure vessels for engineering applications
- Monitoring of decompression chambers
- Pressure monitoring for medical applications
- Process industry: mining, tunnelling, machine building, general plant construction, medical industry

Special Features

- High reliability and long service life
- All stainless steel construction
- Transportation lock
- Impact resistant window



Bourdon Tube Caisson Pressure Gauge Model 332.01,
accuracy class 0.25

Description

Nominal size in mm

160

Accuracy class

1.0

Scale ranges

0 ... 0.6 to 0 ... 16 bar

Pressure limitation

Steady: full scale value
Fluctuating: 0.9 x full scale value
Short time: 1.3 x full scale value

Operating temperature

Ambient: -20 ... +60 °C

Temperature effect

When the temperature of the measuring system deviates from the reference temperature (+20 °C):
max. $\pm 0.4\%$ /10 K of full scale value

Ingress protection

IP 55 per EN 60 529 / IEC 529

Standard version

Process connection

Stainless steel 316L,
The gauge does not have a conventional process connection. The measuring system is barometrically sealed. The ambient pressure to be measured acts on the pressure element from the outside.

Pressure element

Stainless steel 316L
C-type

Movement

Cu-alloy, wear parts argentan

Dial

Aluminium, white, black lettering

Pointer

Adjustable pointer, aluminium, black

Case

Stainless steel,
with venting hole and surface mounting flange

Window

Polycarbonate

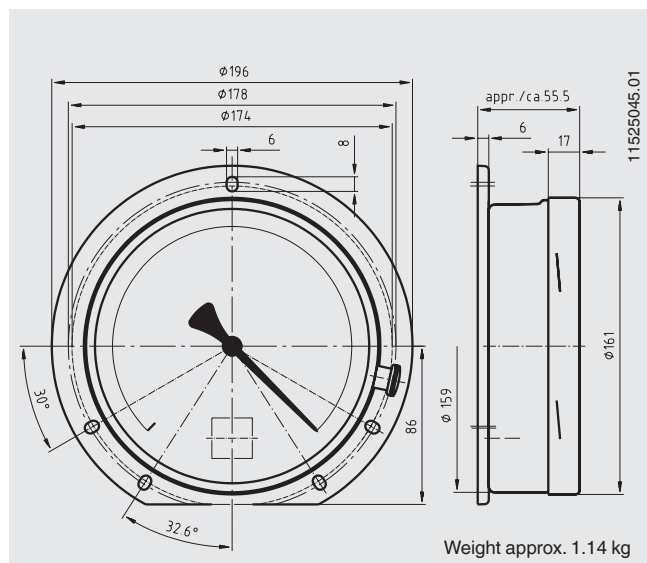
Bezel ring

Cam ring (bayonet type), stainless steel

Options

- Dual scale
- Colour marking on the dial
- Ambient temperature up to 100 °C
- Class accuracy 0.6 and 0.25 (Model 332.01)
- Zero point adjustable from outside
- Mounting eye at 12 o'clock
- Front panel mounting
- Drag pointer
- Mark pointer

Standard version



Ordering information

Model / Nominal size / Scale range / Options

The specifications given in this document represent the state of engineering at the time of publishing. We reserve the right to make modifications to the specifications and materials.

