

OBSOLETE

Single point load cell up to 650 kg Model F4812



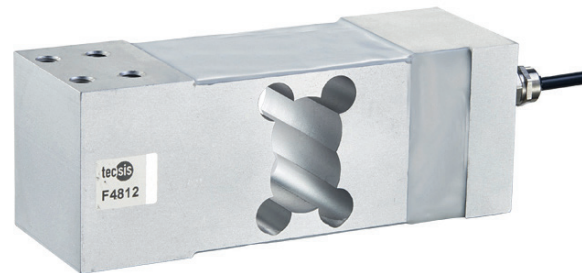
WIKA data sheet FO 53.11

Applications

- Platform scales
- Electronic precision scales
- Industrial weighing systems

Special features

- Measuring ranges 0 ... 50 kg up to 0 ... 650 kg
- Made of aluminium alloy
- High side load tolerance
- Simple structure
- Easy to install



Single point load cell, model F4812

Description

Single point load cells are especially designed to be used in platform weighing. They can be mounted under the platform without any further construction or calibration processes.

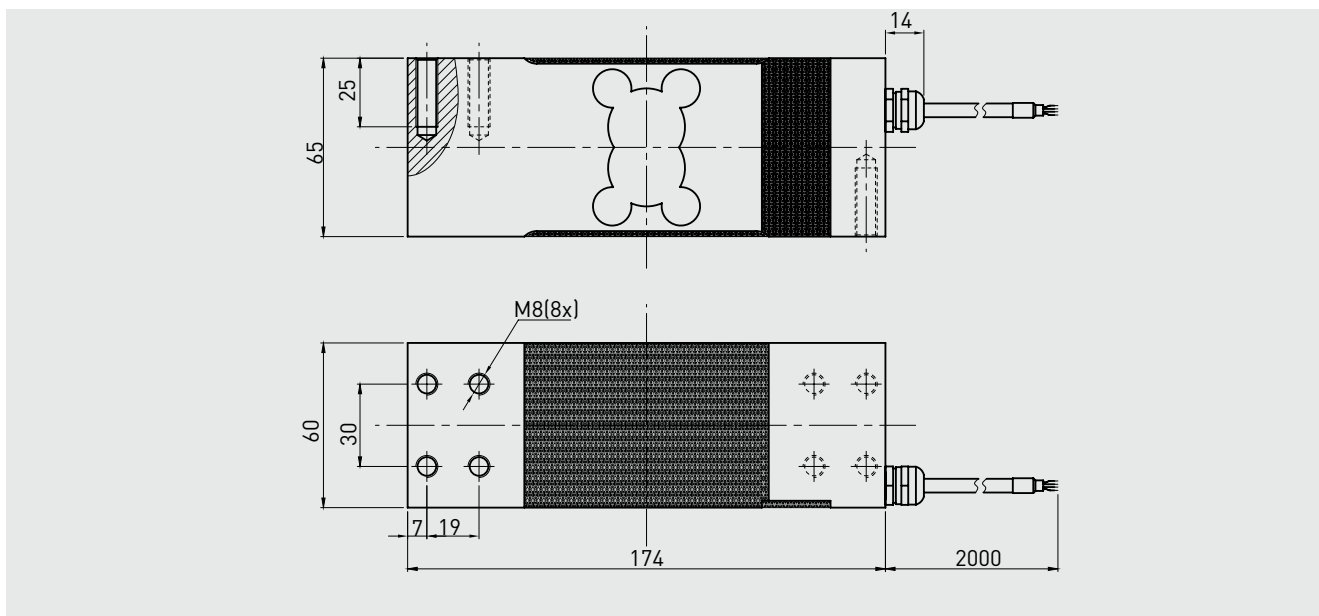
The load cell is easy to operate due to its simple way of the force direction. It applied vertically to the load cell axis.

Note

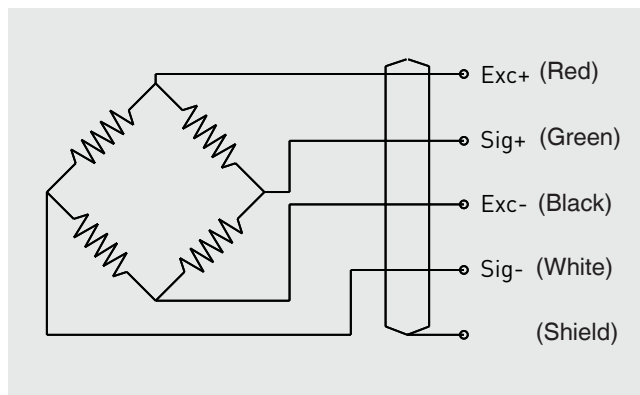
The load cells are to be mounted on an even surface. The permitted load direction is marked with an arrow symbol.

Technical data in accordance with VDI/VDE/DKD 2638

Model F4812	
Nominal load F_{nom} kg	50 / 100 / 150 / 200 / 250 / 300 / 500 / 650
Relative linearity error d_{lin}	$\pm 0.02 \% F_{nom}$
Relative reversibility v	$\pm 0.02 \% F_{nom}$
Relative repeatability error in unchanged mounting position b_{rg}	$\pm 0.02 \% F_{nom}$
Relative deviation of zero signal $d_{S,0}$	$\pm 2 \% F_{nom}$
Relative creep, 30 min.	$\pm 0.02 \% F_{nom}$
Temperature effect on zero signal TK_0	$\leq \pm 0.025 \% / 10^\circ C$
Temperature effect on characteristic value TK_C	$\leq \pm 0.025 \% / 10^\circ C$
Force limit F_L	$150 \% F_{nom}$
Breaking force F_B	$200 \% F_{nom}$
Material	Aluminium
Rated temperature range $B_{T, nom}$	$-10 \dots +40^\circ C$
Operating temperature range $B_{T, G}$	$-20 \dots +60^\circ C$
Input resistance R_e	$410 \pm 10 \Omega$
Output resistance R_a	$350 \pm 5 \Omega$
Insulation resistance R_{is}	$\geq 2,000 M\Omega / DC 100 V$
Output signal (rated output) C_{nom}	$2.0 \pm 1 \% mV/V$
Electrical connection	Cable $\varnothing 5 \times 2,000 mm$
Rated range of excitation voltage $B_{U, nom}$	10 V (max. 15 V)
Protection (acc. to IEC/EN 60529)	IP65
Platformsize	450 x 550 mm
Weight in kg	1.8

Dimensions in mm**Pin assignment**

Electrical connection	
Excitation voltage (+)	Red
Excitation voltage (-)	Black
Signal (+)	Green
Signal (-)	White
Screen \oplus	Screen



© 2016 WIKA Alexander Wiegand SE & Co. KG, all rights reserved.
 The specifications given in this document represent the state of engineering at the time of publishing.
 We reserve the right to make modifications to the specifications and materials.